

51 SERIES BUTTERFLY VALVES

Butterfly Valves are available in Manual, Air Actuated, or Air Actuated with proximity switches and 24V Solenoid Valve. Clamp or Weld ends are standard. Other connections are available upon request.

Available seat materials include Silicone, Viton®, and EPDM. Sizes range from 1" through 6". All product contact surfaces are available in either T304L or T316L stainless steel.



BUTTERFLY VALVES SPECIFICATIONS....

Size:	1" through 6" sizes available
Materials:	T304L, T316L
Finish:	20 Ra μ -in. ID 32 Ra μ -in. OD
Connections:	Clamp, Butt weld, other connections available upon request
Seat / Seals:	Silicone seats are standard - other seats available are EPDM and Viton®
Pressure:	Maximum product pressure 145 psi
Temperature Rating:	15° - 200° F Maximum short time sterilization temperature 266°F EPDM 266°F Silicone 284°F Viton

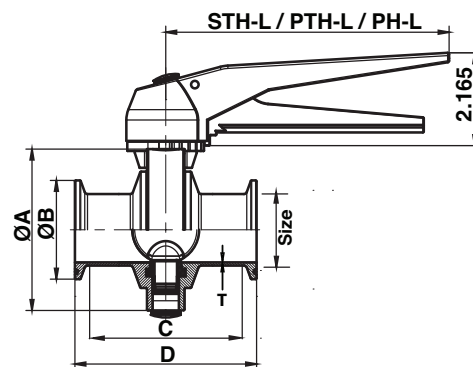
ORDERING SPECIFICATIONS....

Specify:	<ul style="list-style-type: none"> • Quantity • Product Description or Part number • Size • Material Type
Important Features:	<p>Choice of four handles are available.</p> <p>Product Handle Type - 4 position and 12 position. Including a 12 position locking handle.</p> <p>Surface finish meets 3A, FDA and USDA standards. Seats and Seals are FDA approved.</p> <p>Valves marked with heat numbers for full identification and traceability. MTR'S available upon request</p>

51 SERIES BUTTERFLY VALVES

MANUAL BUTTERFLY VALVES

Size	A	B	C	D	STH-L	PTH-L	PH-L	T	Torque in-lbs
1	3.071	1.988	1.969	2.598	5.709	5.709	5.350	0.065	17
1 1/2	3.386	1.988	1.969	2.756	5.709	5.709	5.350	0.065	40
2	3.937	2.519	2.047	2.992	5.709	5.709	5.350	0.065	78
2 1/2	4.528	3.051	2.205	3.150	5.709	5.709	5.350	0.065	111
3	5.040	3.582	2.283	3.307	5.709	5.709	6.420	0.065	160
4	6.063	4.685	2.520	4.094	5.709	5.709	6.420	0.083	280
6	8.858	6.567	3.150	5.118	*	*	7.280	0.109	531

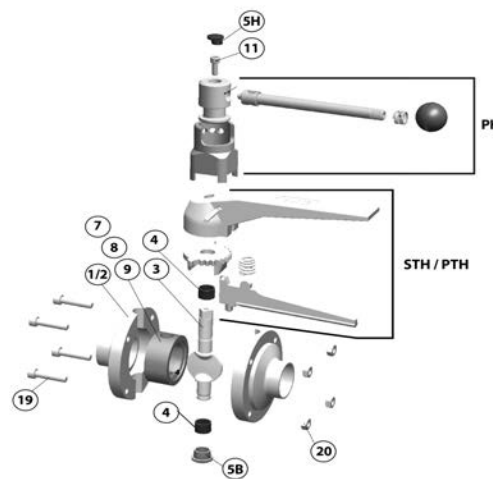


* Available with 4 position pull handle only

C column = Weld face to face dimension D column = Clamp face to face dimensions
Locking trigger handle (LTH) dimensions match the stainless trigger handle (STH)

PARTS LIST

Item	Part Number	Description
1	51-BVP-1-(SIZE)*	Clamp Body
2	51-BVP-2-(SIZE)	Weld Body
3	51-BVP-3-(SIZE)	Disc
4	51-BVP-4-(SIZE)	ABS Bush
5B	51-BVP-5B-(SIZE)	ABS Cap Plug (bottom)
5H	51-BVP-5H-(SIZE)	ABS Cap Plug (handle)
7	51-BVP-7-(SIZE)	Silicone Seat (red)
8	51-BVP-8-(SIZE)	EPDM Seat (red)
9	51-BVP-9-(SIZE)	Viton® Seat (green)
11	51-BVP-11-(SIZE)	Handle Screw
19	51-BVP-19-(SIZE)	Bolt
20	51-BVP-20-(SIZE)	Nut
STH	51-BVP-STH-(SIZE)	12 position stainless trigger handle
LTH	51-BVP-LTH-(SIZE)	12 position stainless locking trigger handle
PTH	51-BVP-PTH-(SIZE)	12 position polymer trigger handle
PH	51-BVP-PH-(SIZE)	4 position pull handle



* To order above items in T316L stainless steel add a 6 before size. IE: 51-BVP-3-6-(SIZE)

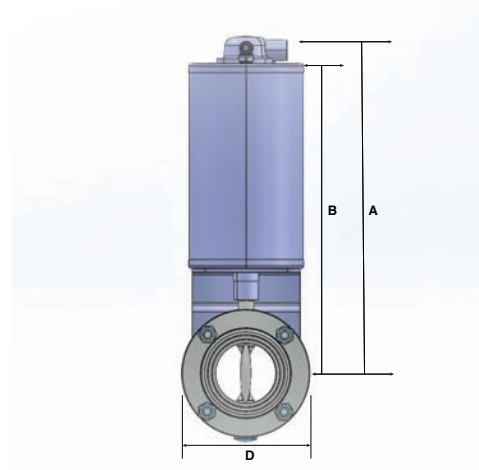
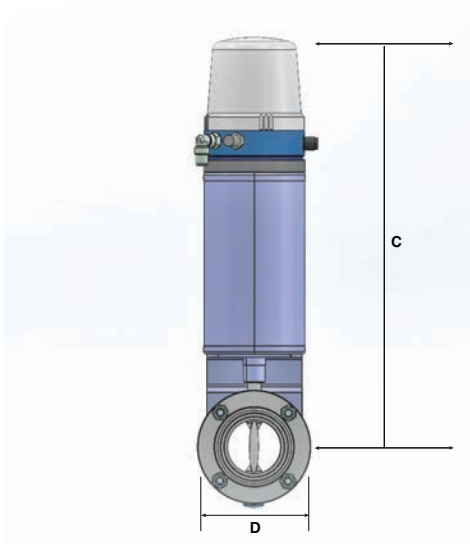
** Included in handle kit - handle screw, cap plug (handle)

51 SERIES BUTTERFLY VALVES

PNEUMATICALLY OPERATED BUTTERFLY VALVE INFORMATION

- Corrosion resistant 304 stainless steel body
- Polished surface finish and sanitary construction allows for easy cleaning
- Air to open, spring to close is standard
- Unique design provides higher torque at final closing of disc
- One actuator fits 1" through 4" valves
- Air pressure required 72.5-145 psi to operate
- Temperature rating of actuator 15° - 170°F
- No spare parts required
- Maintenance free actuator

Reference the pneumatic actuator VBA section on pages 11-12 for detailed specifications.



DIMENSIONAL CHART

Size	A	B	C	E
1	9.928	9.082	13.748	3.071
1 1/2	10.090	9.244	13.910	3.386
2	10.360	9.514	14.180	3.937
2 1/2	10.638	9.792	14.458	4.528
3	10.939	10.093	14.759	5.040
4	11.404	10.558	15.224	6.063

51 SERIES BUTTERFLY VALVE - PART NUMBERING

Example:		51W	-6	4.0	A	V	VBA	Actuated Valves Only			
								C	-	X	X
Valve Body											
51C	Clamp Ends (standard)										
51W	Weld Ends (standard)										
51CW	Clamp by Weld Ends										
51P	Plain Bevel Ends										
51T	Threaded Bevel Ends										
51PT	Plain by Threaded Bevel Ends										
51M	Male E Line Ends										
51F	Female E Line Ends										
51FM	Female by Male E Line Ends										
51Q	Q Line Ends										
51J	Plain John Perry Ends										
51H	Threaded John Perry Ends										
51JH	Plain by Threaded John Perry Ends										
Material Type											
Blank	T304L										
-6	T316L										
Size											
1.0	2.5	6.0									
1.5	3.0										
2.0	4.0										
Manual / Actuator Designator											
M	Manual Valve										
A	Actuated Valve										
Seat Material											
S	Silicone										
E	EPDM										
V	Viton										
Actuator / Handle											
STH	12 Position Stainless Trigger Handle (standard)										
LTH	12 Position Stainless Locking Trigger Handle										
PTH	12 Position Polymer Trigger Handle										
PH	4 Position Pull Handle										
VBA	Stainless canister spring return pneumatic actuator										
VMON	Stainless canister spring return pneumatic actuator w/ control head										
Fail Position / Flow Pattern											
O	Fail Open										
C	Fail Closed (standard)										
Accessory 1											
X	Omitted / Standard for VBA Actuator										
24V	24VDC VMON control head - solenoid, open/closed proximity switch with LED indicator										
ASI	ASI 3.0 VMON control head - solenoid, open/closed proximity switch with LED indicator										
Accessory											
X	Omitted / Standard for VBA Actuator										

Rack and pinion or fully electric actuators available. Call VNE for sizing.

Namur mounted solenoid valves available on R&P actuators. Call VNE for options.