

## 3 - WAY BALL VALVES

Ball Valves are used in a wide variety of high pressure applications. A full unrestricted flow allows no product restrictions through the valve. Thus, allowing easy diversion.

VNE offers three way ball valves made of T316 (CF8M) stainless steel. With PTFE seats are easily removed. Clamp and Weld ends are standard. Other connections are available upon request. 1/2" through 4" sizes are available.

VNE offers many options on automated valves.



### BALL VALVES SPECIFICATIONS....

<b>Size:</b>	1/2" through 4" sizes available
<b>Materials:</b>	Passivated 316 Stainless Steel (ASTM A351, CF8M)
<b>Finish:</b>	20 Ra $\mu$ -in. ID
<b>Connections:</b>	Clamp, Weld, other connections available upon request
<b>Seat / Seals:</b>	Dyneon TF 1641 PTFE Cavity filler, fully encapsulated
<b>Pressure:</b>	1/2" - 2" 1,000psi 2 1/2" - 3" 600psi 4" 400 psi
<b>Temperature Rating:</b>	-65° to 320° F

### ORDERING SPECIFICATIONS....

<b>Specify:</b>	<ul style="list-style-type: none"> <li>• Quantity</li> <li>• Product Description or Part number</li> <li>• Size</li> </ul>
<b>Important Features:</b>	<p>100% Tested</p> <p>Locking device handle</p> <p>ISO-5211 mounting pads standard on all valves</p> <p>Repair kits are available</p> <p>Full Port L and T flow configurations are standard</p> <p>Conform to 3A sanitary standards for Ball-Type valves. Standard number 68-00. Certificate authorization number 3511. Seat and seals are FDA approved.</p> <p>Valves marked with heat numbers for full identification and traceability. MTR'S are available upon request</p>

## 3 - WAY BALL VALVES

### Clamp and Weld Valves (L Port)

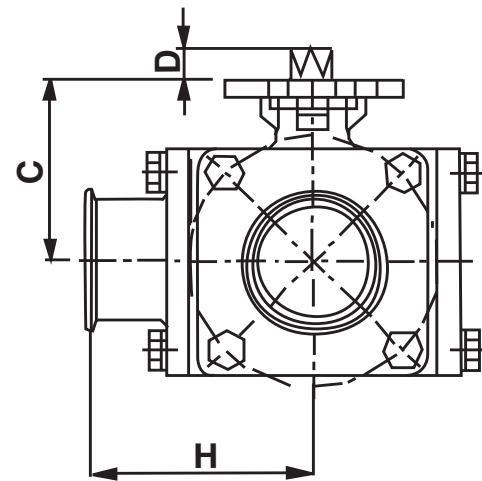
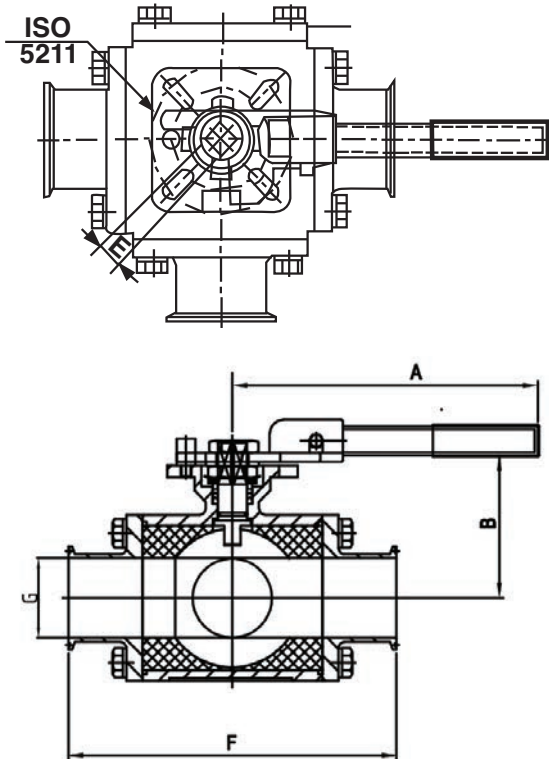
Part Number EG93CCC - 6 - Size = Clamp L Port

Part Number E93WWW - 6 - Size = Weld L Port

### Clamp and Weld Valves (T Port)

Part Number EG93CCC - 6 - Size- T = Clamp T Port

Part Number E93WWW - 6 - Size- T = Weld T Port



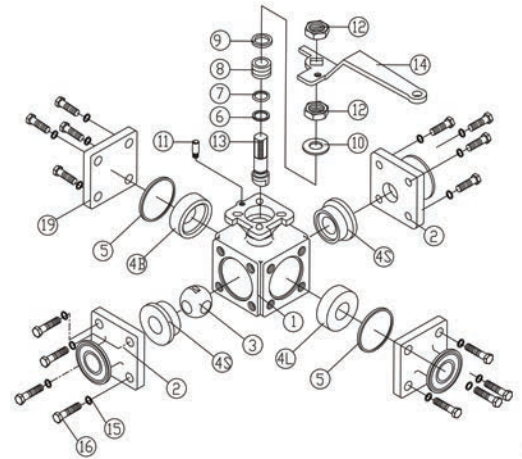
Size / Inch	ISO-5211	A	B	C	D	E	F	G	H
1/2	F03/F04	4.764	3.071	1.752	0.354	0.354	4.646	0.370	2.322
3/4	F03/F04	4.764	3.228	1.890	0.354	0.354	5.000	0.620	2.499
1	F04/F05	5.394	3.543	2.323	0.433	0.433	6.000	0.870	2.999
1 1/2	F05/F07	7.165	4.173	2.835	0.551	0.551	6.890	1.370	3.444
2	F05/F07	7.165	4.516	3.228	0.551	0.551	7.480	1.870	3.740
2 1/2	F07/F10	14.606	4.291	3.976	0.669	0.669	8.976	2.370	4.212
3	F10/F12	15.984	5.276	4.941	0.886	0.866	10.236	2.870	4.803
4	F10/F12/F14	15.984	5.748	5.354	0.886	0.866	11.417	3.834	5.688

## CLAMP AND WELD VALVES

### PARTS LIST

Part Number	Description	Material	Qty
BALL-3-1-(SIZE)	Body	A351-CF8M	1
BALL-3-2C-(SIZE)	Clamp End	A351-CF8M	3
BALL-3-2W-(SIZE)	Weld End	A351-CF8M	3
BALL-3-3-(SIZE)	L-Port Ball	A351-CF8M	1
BALL-3-3-(SIZE)-T	T-Port Ball	A351-CF8M	1
BALL-3-4L-(SIZE)*	Seat Large	PTFE	2
BALL-3-4S-(SIZE)*	Seat Small	PTFE	1
BALL-3-4B-(SIZE)*	Seat Back	PTFE	1
BALL-3-5(SIZE)*	Gasket	PTFE	2
BALL-3-6-(SIZE)*	Thurst Washer	PTFE	1
BALL-3-7-(SIZE)*	O-Ring	VITON	1
BALL-3-8-(SIZE)*	Stem Packing	PTFE	1
BALL-3-9-(SIZE)	Ring	AISI-316	1
BALL-3-10-(SIZE)	Bevel Washer	AISI-304	1
BALL-3-11-(SIZE)	Stop Pin	AISI-316	1
BALL-3-12-(SIZE)	Nut	AISI-304	2
BALL-3-13-(SIZE)	Stem	AISI-316	1
BALL-3-14-(SIZE)	Handle	AISI-304	1
BALL-3-15-(SIZE)	Washer	AISI-304	16
BALL-3-16-(SIZE)	Bolt	AISI-304	16
BALL-3-17-(SIZE)	Prevailing Device	AISI-304	1
BALL-3-18-(SIZE)	Nut Handle	AISI-304	1
BALL-3-19-(SIZE)	Body Cap	A351-CF8M	1
BALL-3-KIT-(SIZE)	Repair Kit	PTFE/VITON	*items above

\* items included in the repair kit



## BALL VALVE TORQUE...

3-Way full port stainless steel 316 sanitary ball valve clamp and weld end. To convert In / LBS to Foot LBS X .083.

1/2"	- Breakaway Torque ---	79	In-Lbs
3/4"	- Breakaway Torque ---	85	In-Lbs
1"	- Breakaway Torque ---	110	In-Lbs
1 1/2"	- Breakaway Torque ---	290	In-Lbs
2"	- Breakaway Torque ---	680	In-Lbs
2 1/2"	- Breakaway Torque ---	1287	In-Lbs
3"	- Breakaway Torque ---	1770	In-Lbs
4"	- Breakaway Torque ---	2200	In-Lbs

## WORKING PRESSURE CHARTS

