

### AIR BLOW CHECK VALVE

Check Valves are widely used for both sanitary and industrial applications to prevent backflow of product.

Air Blow Check Valves are designed to evacuate lines of product or CIP solutions. Air Blow Check Valves are made of T316L Stainless Steel



### ORDERING SPECIFICATIONS....

#### AIR BLOW CHECK VALVE SPECIFICATIONS....

<b>Size:</b>	1.5" through 4" sizes available
<b>Materials:</b>	T316L
<b>Finish:</b>	32 Ra $\mu$ -in. ID/OD
<b>Connections:</b>	Clamp end only
<b>Seats / Seals:</b>	EPDM seats are standard. Other seats available are Viton®

#### Specify:

- Quantity
- Product Description or Part number
- Size

#### Important Features:

Fail Safe Operation - backflow of product or CIP solution prevented by simple air to open, spring to close operation

Easy Assembly / Disassembly  
Clamp connections permit quick disassembly and assembly for replacing Filter Media, cleaning or inspection

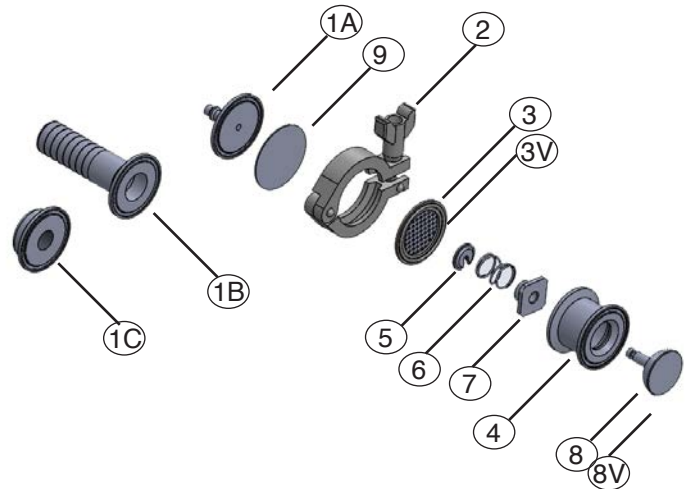
Conform to 3A Sanitary Standards for vacuum breakers and check valves. Standard number 58-02. Certificate authorization number 3573. Seats and seals are FDA approved.

Valves marked with heat numbers for full identification and traceability. MTR'S are available upon request

## AIR BLOW CHECK VALVE

### PARTS LIST

- 1A. Air Line Quick Disconnect - fits all sizes  
.25" Standard / .375" Available
- 1B. Rubber Hose Barb = EG14RT-6L1.0  
1" Standard / Other sizes available upon request
- 1C. FNPT Thermometer Cap = EG23B-6L1.0  
.5" Standard / Other sizes available upon request
- 2. Clamp - fits all sizes = 13MHHM1.5
- 3. 1.5" EPDM Perforated Disc - fits all sizes\*
- 3V. 1.5" Viton® Perforated Disc - fits all sizes\*
- 4. Valve Body
- 5. Spring Retainer - fits all sizes
- 6. Spring - fits all sizes
- 7. Stem Guide - fits all sizes
- 8. EPDM Stem - fits all sizes
- 8V. Viton® Stem - fits all sizes
- 9. Filter Disc - fits all sizes (50 / PKG)



\* Hole diameter of disc: .1/2517 Micron equivalent

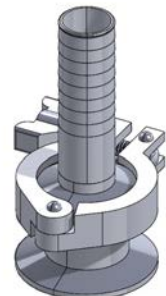
### PART NUMBER SEQUENCE WHEN ORDERING COMPLETE VALVE

- EG62A-6L SIZE = "A" Connection
- EG62B-6L SIZE = "B" Connection (shown)
- EG62C-6L SIZE = "C" Connection
- For Viton® Add "V" to end of part number

### PART NUMBER SEQUENCE WHEN ORDERING REPLACEMENT PARTS:

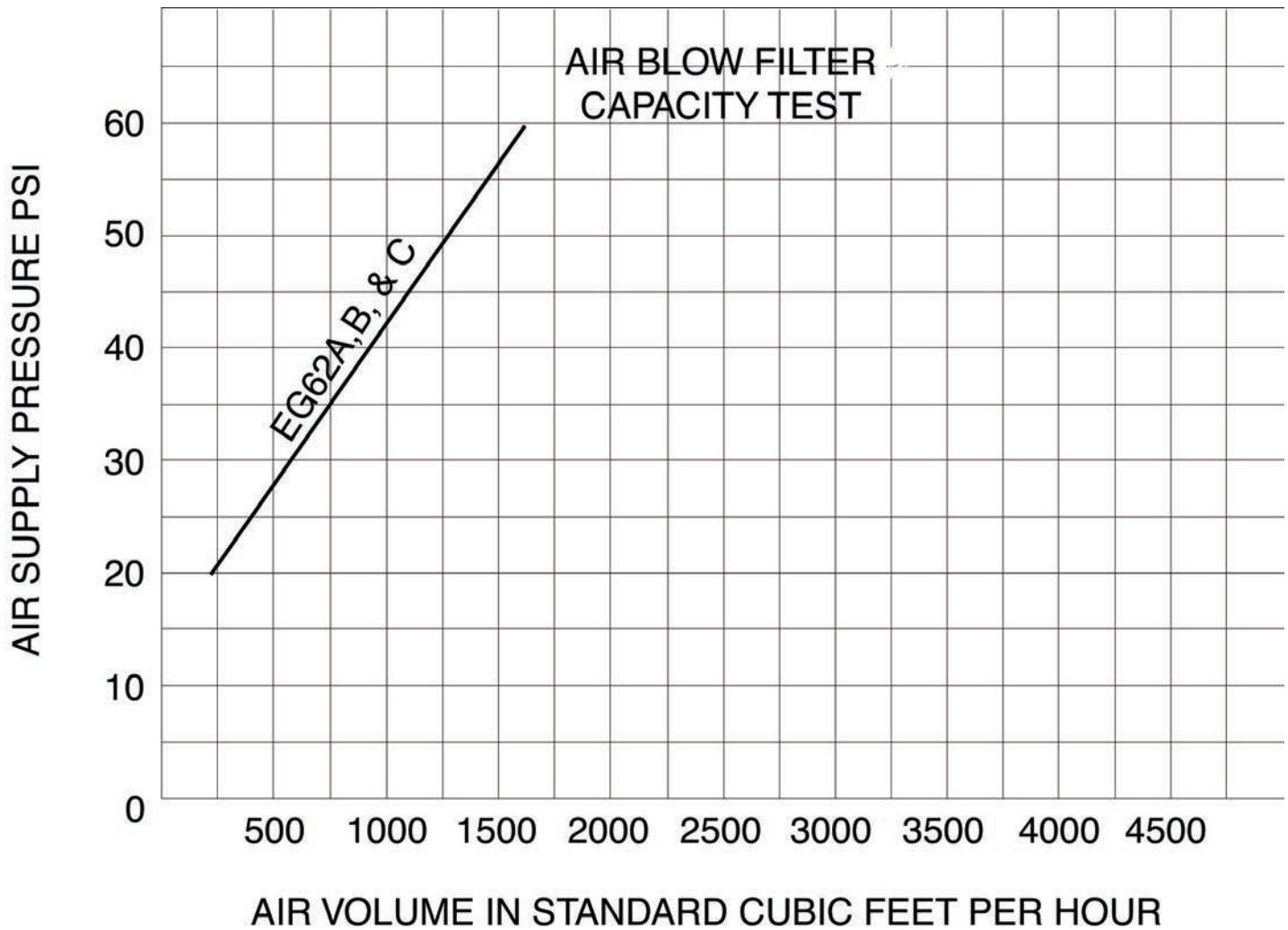
- ABV (item number) - (valve size)
- Example: ABV1A - .25 = .25" Air line quick disconnect (fits all sizes)

Valve Size	Overall Length			Approx. Wt. Lbs.		
	EG62A	EG62B	EG62C	EG62A	EG62B	EG62C
1 1/2	2.500	4.875	2.000	1.20	1.25	1.30
2	2.500	4.875	2.000	1.35	1.40	1.45
2 1/2	2.500	4.875	2.000	1.45	1.50	1.55
3	2.500	4.875	2.000	1.65	1.70	1.75
4	2.500	4.875	2.000	2.15	2.20	2.25



## AIR BLOW CHECK VALVE

### DISPOSABLE AIR FILTER MEDIA CAPACITY TEST



Note: The Air Blow Check Valve must be used with a Filter Disc. These Filter Discs are available in packages of 50.

## AIR BLOW CHECK VALVE

### BALL CHECK WITH AIR BLOW CHECK VALVE

- Air Blow Check Valves are commonly used on ball check valves to evacuate lines of product or CIP solutions
- Easy assembly and disassembly of Air Blow Check Valve
- Buna Ball Check Valve offered standard with EPDM Air Blow Check Valve with Viton® options

### PARTS LIST

#### CLAMP

EG45ABA-6 SIZE = "A" Connection

EG45ABB-6 SIZE = "B" Connection

EG45ABC-6 SIZE = "C" Connection

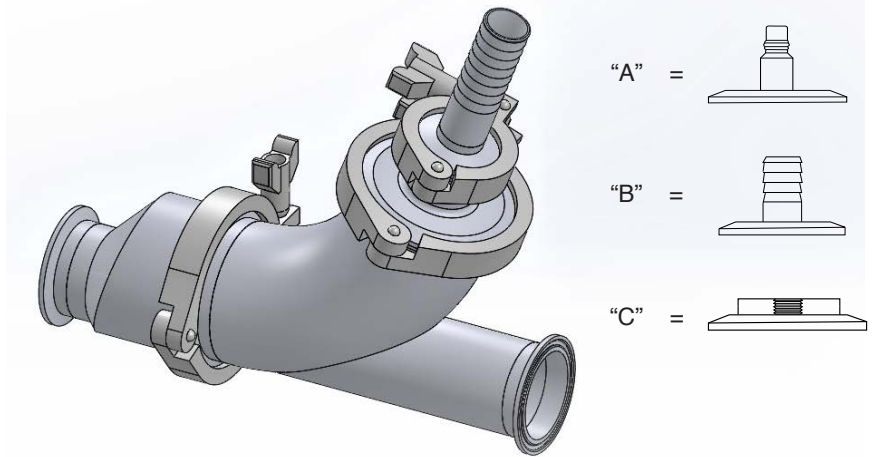
#### WELD

E45WWABA-6 SIZE = "A" Connection

E45WWABB-6 SIZE = "B" Connection

E45WWABC-6 SIZE = "C" Connection

\*For Viton® Ball, Stem, and Elastomers  
Add "V" to end of part number



\* For parts list and dimensional information see individual components

- \* For use on Ball Check Valves:
  - 1 1/2" Ball Check Valve uses 2 1/2" Air Blow Valve
  - 2" Ball Check Valve uses 3" Air Blow Valve
  - 2 1/2" Ball Check Valve uses 4" Air Blow Valve
  - 3" Ball Check Valve uses 4" Air Blow Valve