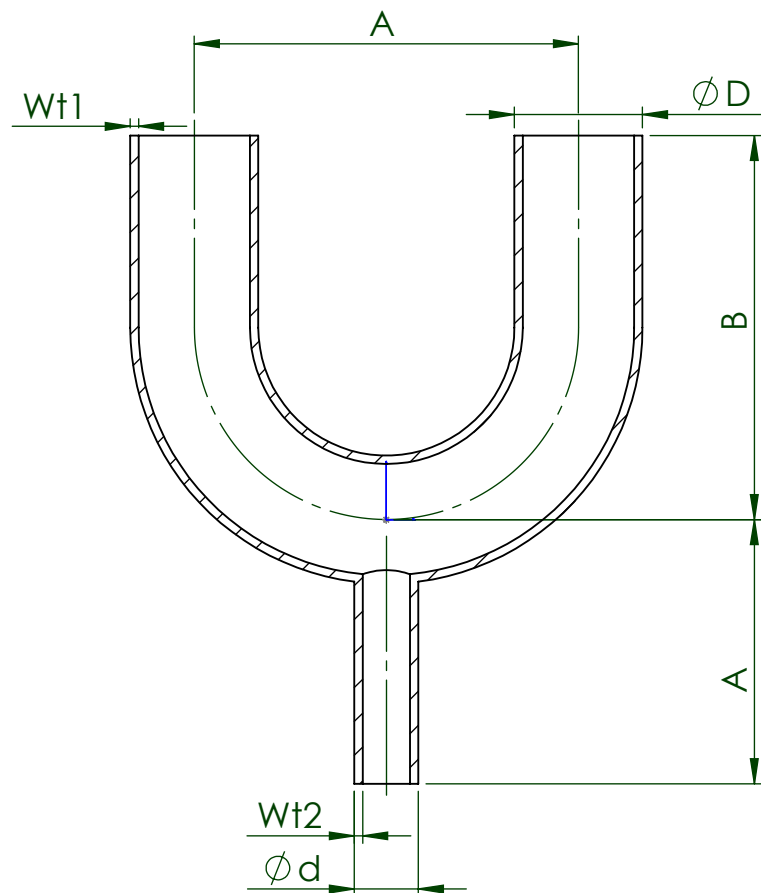


CODE	SIZE	A		B		C		D		d		Wt1		Wt2	
		[mm]	[inch]	[mm]	[inch]	[mm]	[inch]	[mm]	[inch]	[mm]	[inch]	[mm]	[inch]	[mm]	[inch]
TE2UBWWW6L.75x.5-..	3/4" x 1/2"	114.3	4.500	76.2	3.000	47.6	1.875	19.05	3/4	12.7	1/2	1.65	.065	1.65	.065
TE2UBWWW6L.75x.75-..	3/4" x 3/4"	114.3	4.500	76.2	3.000	47.6	1.875	19.05	3/4	19.05	3/4	1.65	.065	1.65	.065
TE2UBWWW6L1.0x.5-..	1.0" x 1/2"	76.2	3.000	76.2	3.000	52.4	2.062	25.4	1.0	12.7	1/2	1.65	.065	1.65	.065
TE2UBWWW6L1.5x.5-..	1 1/2" x 1/2"	114.3	4.500	114.3	4.500	58.7	2.312	38.1	1 1/2	12.7	1/2	1.65	.065	1.65	.065
TE2UBWWW6L2.0x.5-..	2.0" x 1/2"	152.4	6.000	127.0	5.000	65.1	2.562	50.8	2.0	12.7	1/2	1.65	.065	1.65	.065
TE2UBWWW6L2.5x.5-..	2 1/2" x 1/2"	190.5	7.500	146.1	5.750	71.4	2.812	63.5	2 1/2	12.7	1/2	1.65	.065	1.65	.065
TE2UBWWW6L3.0x.5-..	3.0" x 1/2"	228.6	9.000	165.1	6.500	77.8	3.062	76.2	3.0	12.7	1/2	1.65	.065	1.65	.065
TE2UBWWW6L4.0x.5-..	4.0" x 1/2"	304.8	12.000	215.9	8.500	90.5	3.562	101.6	4.0	12.7	1/2	2.11	.083	1.65	.065



	<b>EGMO LTD.</b> Tanks and stainless steel accessories P.O.B. 1111, 1 Hayotsrim St. 22110 Nahariya Israel Tel. 972-4-9855175 Fax: 972-4-9855173		
	<b>Ordering Code:</b> TE2UBWWW- 180	<b>Drawn</b> <b>Guy.S</b>	<b>4/19/2015</b>
	<b>Approved</b> <b>Alex.L</b>	<b>4/19/2015</b>	
	<b>Material:</b> AISI 316L		
©2014 EGMO Ltd. All rights reserved. The information on this drawing may not be reproduced or republished without prior consent of EGMO Ltd	<b>Finish:</b> ASME BPE-2012 (Per ordering)		
	<b>Size - A4</b>	<b>Rev: 0</b>	
	<b>Sheet 1 From 1</b>		