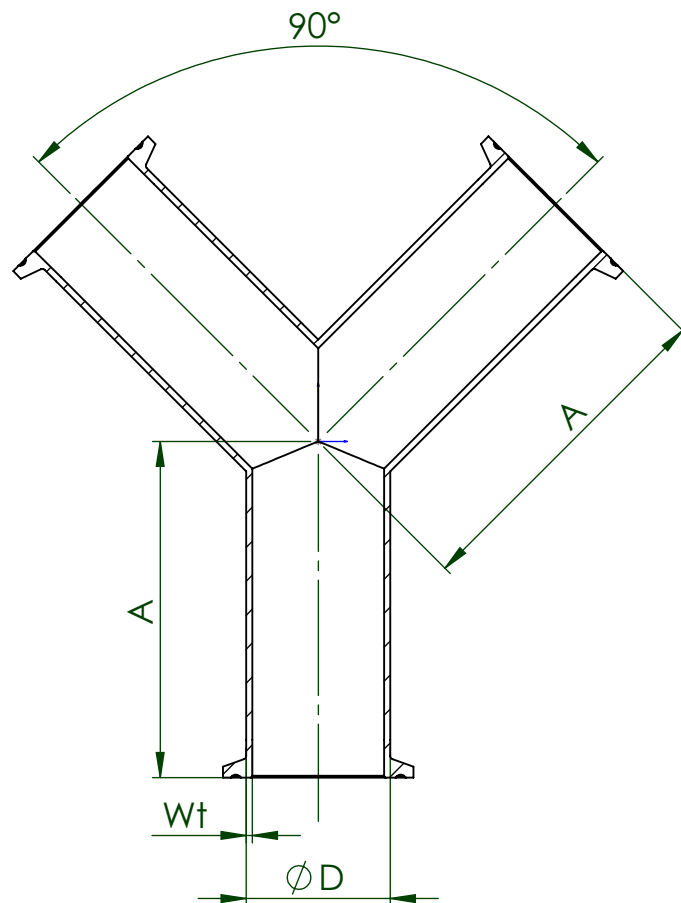


CODE	SIZE	A		D		Wt	
		[mm]	[inch]	[mm]	[inch]	[mm]	[inch]
TEG28B6L1.0-..	1"	88.9	3.500	25.4	1.0	1.65	.065
TEG28B6L1.5-..	1½"	88.9	3.500	38.1	1½"	1.65	.065
TEG28B6L2.0-..	2"	114.9	4.500	50.8	2.0	1.65	.065
TEG28B6L2.5-..	2½"	139.7	5.500	63.5	2½"	1.65	.065
TEG28B6L3.0-..	3"	165.1	6.500	76.2	3.0	1.65	.065
TEG28B6L4.0-..	4"	219.1	8.625	101.6	4.0	2.11	.083
TEG28B6L6.0-..	6"	225.4	8.875	152.4	6.0	2.77	.109



**EGMO LTD.** Tanks and stainless steel accessories  
P.O.B. 1111, 1 Hayotsrim St. 22110 Nahariya Israel  
Tel: 972-4-9855175 Fax: 972-4-9855173

Ordering Code:

TEG28B6L-..

Drawn **Guy.S** 4/19/2015

Approved **Alex.L** 4/19/2015

Material: AISI 316L

©2014 EGMO Ltd. All rights reserved.  
The information on this drawing may  
not be reproduced or republished  
without prior consent of EGMO Ltd

Finish: ASME BPE-2012  
(Per ordering)



Size - A4

Rev: 0

Sheet 1 From 1