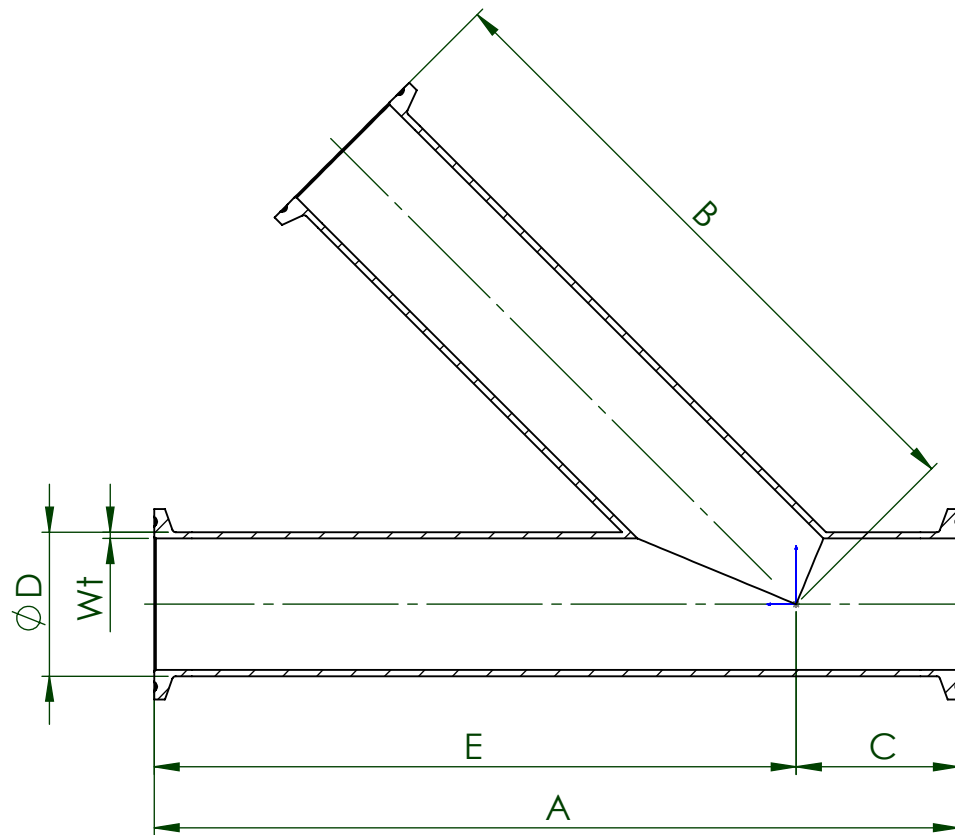


CODE	SIZE	A		B		C		E		D		Wt	
		[mm]	[inch]	[mm]	[inch]	[mm]	[inch]	[mm]	[inch]	[mm]	[inch]	[mm]	[inch]
TE28WA6L1.0-..	1"	177.8	7.000	139.7	5.500	38.1	1.500	139.7	5.500	25.4	1.0	1.65	.065
TE28WA6L1.5-..	1½"	212.7	8.375	169.9	6.687	42.9	1.687	169.8	6.685	38.1	1½"	1.65	.065
TE28WA6L2.0-..	2"	247.7	9.750	193.7	7.625	54.0	2.125	193.7	7.625	50.8	2.0	1.65	.065
TE28WA6L2.5-..	2½"	279.4	11.000	228.6	9.000	50.8	2.000	228.6	9.000	63.5	2½"	1.65	.065
TE28WA6L3.0-..	3"	298.5	11.750	238.1	9.375	60.3	2.375	238.2	9.378	76.2	3.0	1.65	.065
TE28WA6L4.0-..	4"	357.2	14.062	288.9	11.375	68.3	2.687	288.9	11.375	101.6	4.0	2.11	.083



	EGMO LTD. Tanks and stainless steel accessories P.O.B. 1111, 1 Hayotsrim St. 22110 Nahariya Israel Tel. 972-4-9855175 Fax: 972-4-9855173		
	Ordering Code: TEG28A6L-..	Drawn Guy.S	4/19/2015
	Approved Alex.L	4/19/2015	
	Material: AISI 316L		
©2014 EGMO Ltd. All rights reserved. The information on this drawing may not be reproduced or republished without prior consent of EGMO Ltd	Finish: ASME BPE-2012 (Per ordering)		
	Size - A4	Rev: 0	
	Sheet 1 From 1		