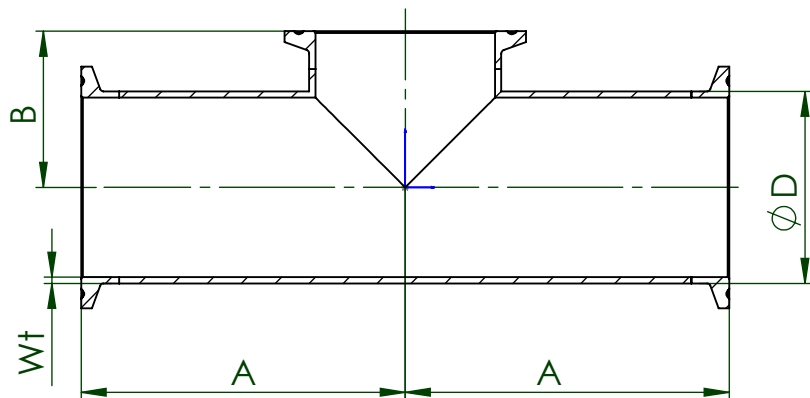


CODE	SIZE	A		B		D		Wt	
		[mm]	[inch]	[mm]	[inch]	[mm]	[inch]	[mm]	[inch]
<b>TEG7S6L.5-..</b>	½"	57.2	2.250	25.4	1.000	12.70	.5	1.65	.065
<b>TEG7S6L.75-..</b>	¾"	60.3	2.375	28.6	1.125	19.05	.75	1.65	.065
<b>TEG7S6L1.0-..</b>	1"	66.7	2.625	28.6	1.125	25.40	1	1.65	.065
<b>TEG7S6L1.5-..</b>	1½"	73.0	2.875	34.9	1.375	38.10	1.5	1.65	.065
<b>TEG7S6L2.0-..</b>	2"	85.7	3.375	41.3	1.625	50.80	2	1.65	.065
<b>TEG7S6L2.5-..</b>	2½"	92.1	3.625	47.6	1.875	63.50	2.5	1.65	.065
<b>TEG7S6L3.0-..</b>	3"	98.4	3.875	54.0	2.125	76.20	3	1.65	.065
<b>TEG7S6L4.0-..</b>	4"	120.7	4.750	69.9	2.750	101.60	4	2.11	.083
<b>TEG7S6L6.0-..</b>	6"	181.0	7.125	117.5	4.625	152.40	6	2.77	.109



	<b>EGMO LTD.</b> Tanks and stainless steel accessories P.O.B. 1111, 1 Hayotsrim St. 22110 Nahariya Israel Tel. 972-4-9855175 Fax: 972-4-9855173		
	<b>Ordering Code:</b> TEG7S- SHORT OUTLET TEE	Drawn <b>Guy.S</b> <b>4/12/2015</b> Approved <b>Alex.L</b> <b>4/12/2015</b> Material: AISI 316L	
©2014 EGMO Ltd. All rights reserved. The information on this drawing may not be reproduced or republished without prior consent of EGMO Ltd	Finish: ASME BPE-2012 (Per ordering)		
	Size - A4 Rev: 0 Sheet 1 From 1		