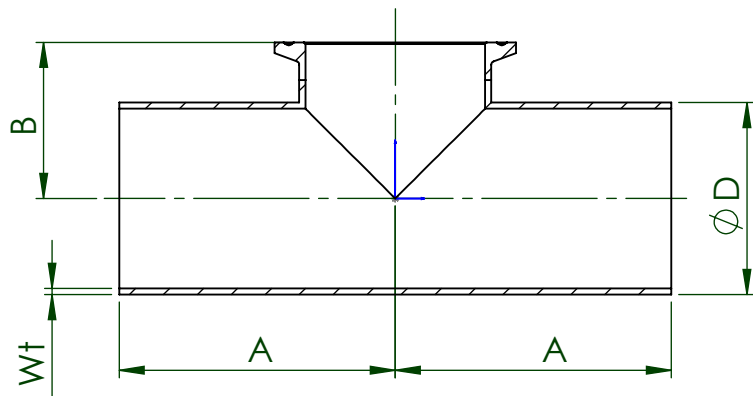


CODE	SIZE	A		B		D		Wt	
		[mm]	[inch]	[mm]	[inch]	[mm]	[inch]	[mm]	[inch]
TE7WWCS6L.25-..	¼"	44.5	1.750	25.4	1.000	6.35	.25	0.89	.035
TE7WWCS6L.375-..	⅜"	44.5	1.750	25.4	1.000	9.53	.375	0.89	.035
TE7WWCS6L.5-..	½"	47.6	1.875	25.4	1.000	12.70	.5	1.65	.065
TE7WWCS6L.75-..	¾"	50.8	2.000	28.6	1.125	19.05	.75	1.65	.065
TE7WWCS6L1.0-..	1"	54.0	2.125	28.6	1.125	25.40	1	1.65	.065
TE7WWCS6L1.5-..	1½"	60.3	2.375	34.9	1.375	38.10	1.5	1.65	.065
TE7WWCS6L2.0-..	2"	73.0	2.875	41.3	1.625	50.80	2	1.65	.065
TE7WWCS6L2.5-..	2½"	79.4	3.125	47.6	1.875	63.50	2.5	1.65	.065
TE7WWCS6L3.0-..	3"	85.7	3.375	54.0	2.125	76.20	3	1.65	.065
TE7WWCS6L4.0-..	4"	104.8	4.125	69.9	2.750	101.60	4	2.11	.083
TE7WWCS6L6.0-..	6"	142.9	5.625	117.5	4.625	152.40	6	2.77	.109



	EGMO LTD. Tanks and stainless steel accessories P.O.B. 1111, 1 Hayotsrim St. 22110 Nahariya Israel Tel. 972-4-9855175 Fax: 972-4-9855173		
	Ordering Code: TE7WWCS- SHORT OUTLET TEE	Drawn: Guy.S Approved: Alex.L Material: AISI 316L	4/12/2015 4/12/2015
©2014 EGMO Ltd. All rights reserved. The information on this drawing may not be reproduced or republished without prior consent of EGMO Ltd	Finish: ASME BPE-2012 (Per ordering)		
	Size - A4 Rev: 0	Sheet 1 From 1	