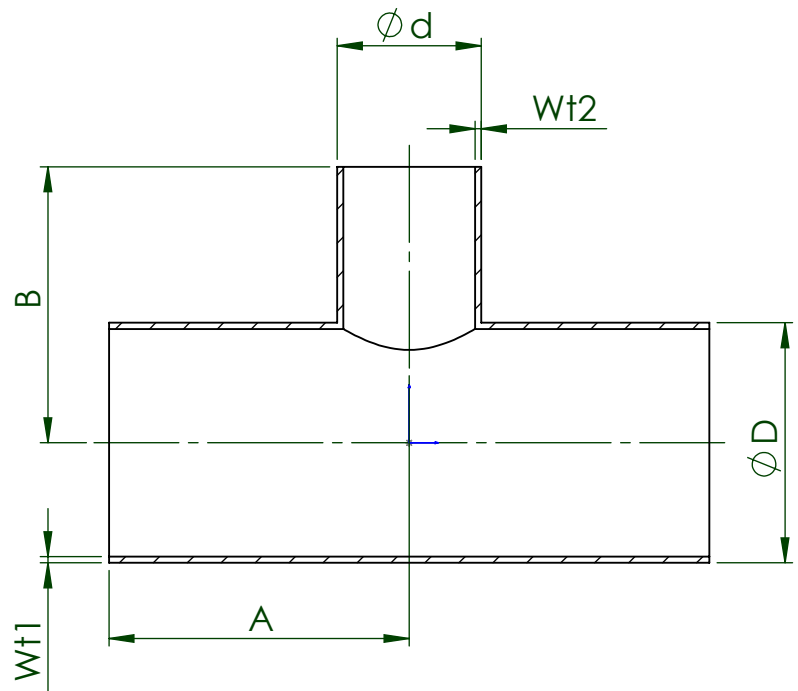



CODE	SIZE	A		B		D		d		Wt1		Wt2	
		[mm]	[inch]	[mm]	[inch]	[mm]	[inch]	[mm]	[inch]	[mm]	[inch]	[mm]	[inch]
TE7RWWW6L.375x.25-..	3/8" x 1/4"	44.5	1.750	44.5	1.750	9.53	3/8	6.35	1/4	0.89	.035	0.89	.035
TE7RWWW6L.5x.25-..	1/2" x 1/4"	47.6	1.875	47.6	1.875	12.7	1/2	6.35	1/4	1.65	.065	0.89	.035
TE7RWWW6L.5x.375-..	1/2" x 3/8"	47.6	1.875	47.6	1.875	12.7	1/2	9.53	3/8	1.65	.065	0.89	.035
TE7RWWW6L.75x.25-..	3/4" x 1/4"	50.8	2.000	50.8	2.000	19.05	3/4	6.35	1/4	1.65	.065	0.89	.035
TE7RWWW6L.75x.375-..	3/4" x 3/8"	50.8	2.000	50.8	2.000	19.05	3/4	9.53	3/8	1.65	.065	0.89	.035
TE7RWWW6L.75x.5-..	3/4" x 1/2"	50.8	2.000	50.8	2.000	19.05	1.0	12.7	1/2	1.65	.065	1.65	.065
TE7RWWW6L1.0x.25-..	1.0" x 1/4"	54	2.125	54	2.125	25.4	1.0	6.35	1/4	1.65	.065	0.89	.035
TE7RWWW6L1.0x.375-..	1.0" x 3/8"	54	2.125	54	2.125	25.4	1.0	9.53	3/8	1.65	.065	0.89	.035
TE7RWWW6L1.0x.5-..	1.0" x 1/2"	54	2.125	54	2.125	25.4	1.0	12.7	1/2	1.65	.065	1.65	.065
TE7RWWW6L1.0x.75-..	1.0" x 3/4"	54	2.125	54	2.125	25.4	1.0	19.05	3/4	1.65	.065	1.65	.065
TE7RWWW6L1.5x.5-..	1 1/2" x 1/2"	60.3	2.375	60.3	2.375	38.1	1 1/2	12.7	1/2	1.65	.065	1.65	.065
TE7RWWW6L1.5x.75-..	1 1/2" x 3/4"	60.3	2.375	60.3	2.375	38.1	1 1/2	19.05	3/4	1.65	.065	1.65	.065
TE7RWWW6L1.5x1.0-..	1 1/2" x 1.0"	60.3	2.375	60.3	2.375	38.1	1 1/2	25.4	1.0	1.65	.065	1.65	.065
TE7RWWW6L2.0x.5-..	2.0" x 1/2"	73	2.875	66.7	2.625	50.8	2.0	12.7	1/2	1.65	.065	1.65	.065
TE7RWWW6L2.0x.75-..	2.0" x 3/4"	73	2.875	66.7	2.625	50.8	2.0	19.05	3/4	1.65	.065	1.65	.065
TE7RWWW6L2.0x1.0-..	2.0" x 1.0"	73	2.875	66.7	2.625	50.8	2.0	25.4	1.0	1.65	.065	1.65	.065
TE7RWWW6L2.0x1.5-..	2.0" x 1 1/2"	73	2.875	66.7	2.625	50.8	2.0	38.1	1 1/2	1.65	.065	1.65	.065
TE7RWWW6L2.5x.5-..	2 1/2" x 1/2"	79.4	3.125	73	2.875	63.5	2 1/2	12.7	1/2	1.65	.065	1.65	.065
TE7RWWW6L2.5x.75-..	2 1/2" x 3/4"	79.4	3.125	73	2.875	63.5	2 1/2	19.05	3/4	1.65	.065	1.65	.065
TE7RWWW6L2.5x1.0-..	2 1/2" x 1.0"	79.4	3.125	73	2.875	63.5	2 1/2	25.4	1.0	1.65	.065	1.65	.065
TE7RWWW6L2.5x1.5-..	2 1/2" x 1 1/2"	79.4	3.125	73	2.875	63.5	2 1/2	38.1	1 1/2	1.65	.065	1.65	.065
TE7RWWW6L2.5x2.0-..	2 1/2" x 2.0"	79.4	3.125	73	2.875	63.5	2 1/2	50.8	2.0	1.65	.065	1.65	.065
TE7RWWW6L3.0x.5-..	3.0" x 1/2"	85.7	3.375	79.4	3.125	76.2	3.0	12.7	1/2	1.65	.065	1.65	.065
TE7RWWW6L3.0x.75-..	3.0" x 3/4"	85.7	3.375	79.4	3.125	76.2	3.0	19.05	3/4	1.65	.065	1.65	.065
TE7RWWW6L3.0x1.0-..	3.0" x 1.0"	85.7	3.375	79.4	3.125	76.2	3.0	25.4	1.0	1.65	.065	1.65	.065
TE7RWWW6L3.0x1.5-..	3.0" x 1 1/2"	85.7	3.375	79.4	3.125	76.2	3.0	38.1	1 1/2	1.65	.065	1.65	.065
TE7RWWW6L3.0x2.0-..	3.0" x 2.0"	85.7	3.375	79.4	3.125	76.2	3.0	50.8	2.0	1.65	.065	1.65	.065
TE7RWWW6L3.0x2.5-..	3.0" x 2 1/2"	85.7	3.375	79.4	3.125	76.2	3.0	63.5	2 1/2	1.65	.065	1.65	.065
TE7RWWW6L4.0x.5-..	4.0" x 1/2"	104.8	4.125	92.1	3.625	101.6	4.0	12.7	1/2	2.11	.083	1.65	.065
TE7RWWW6L4.0x.75-..	4.0" x 3/4"	104.8	4.125	92.1	3.625	101.6	4.0	19.05	3/4	2.11	.083	1.65	.065
TE7RWWW6L4.0x1.0-..	4.0" x 1.0"	104.8	4.125	92.1	3.625	101.6	4.0	25.4	1.0	2.11	.083	1.65	.065
TE7RWWW6L4.0x1.5-..	4.0" x 1 1/2"	104.8	4.125	92.1	3.625	101.6	4.0	38.1	1 1/2	2.11	.083	1.65	.065
TE7RWWW6L4.0x2.0-..	4.0" x 2.0"	104.8	4.125	98.4	3.875	101.6	4.0	50.8	2.0	2.11	.083	1.65	.065
TE7RWWW6L4.0x2.5-..	4.0" x 2 1/2"	104.8	4.125	98.4	3.875	101.6	4.0	63.5	2 1/2	2.11	.083	1.65	.065
TE7RWWW6L4.0x3.0-..	4.0" x 3.0"	104.8	4.125	98.4	3.875	101.6	4.0	76.2	3.0	2.11	.083	1.65	.065
TE7RWWW6L6.0x3.0-..	6.0" x 3.0"	142.9	5.625	123.8	4.875	152.4	6.0	76.2	3.0	2.77	.109	1.65	.065
TE7RWWW6L6.0x4.0-..	6.0" x 4.0"	142.9	5.625	130.2	5.125	152.4	6.0	101.6	4.0	2.77	.109	2.11	.083



	EGMO LTD. Tanks and stainless steel accessories P.O.B. 1111, 1 Hayotstrim St. 22110 Nahariya Israel Tel. 972-4-9855175 Fax: 972-4-9855173		
	Ordering Code: TE7RWWW- REDUCING TEE	Drawn Guy.S 4/13/2015	
	Approved Alex.L 4/13/2015		
	Material: AISI 316L		
©2014 EGMO Ltd. All rights reserved. The information on this drawing may not be reproduced or republished without prior consent of EGMO Ltd	Finish: ASME BPE-2012 (Per ordering)		
	Size - A4	Rev: 0	Sheet 1 From 1