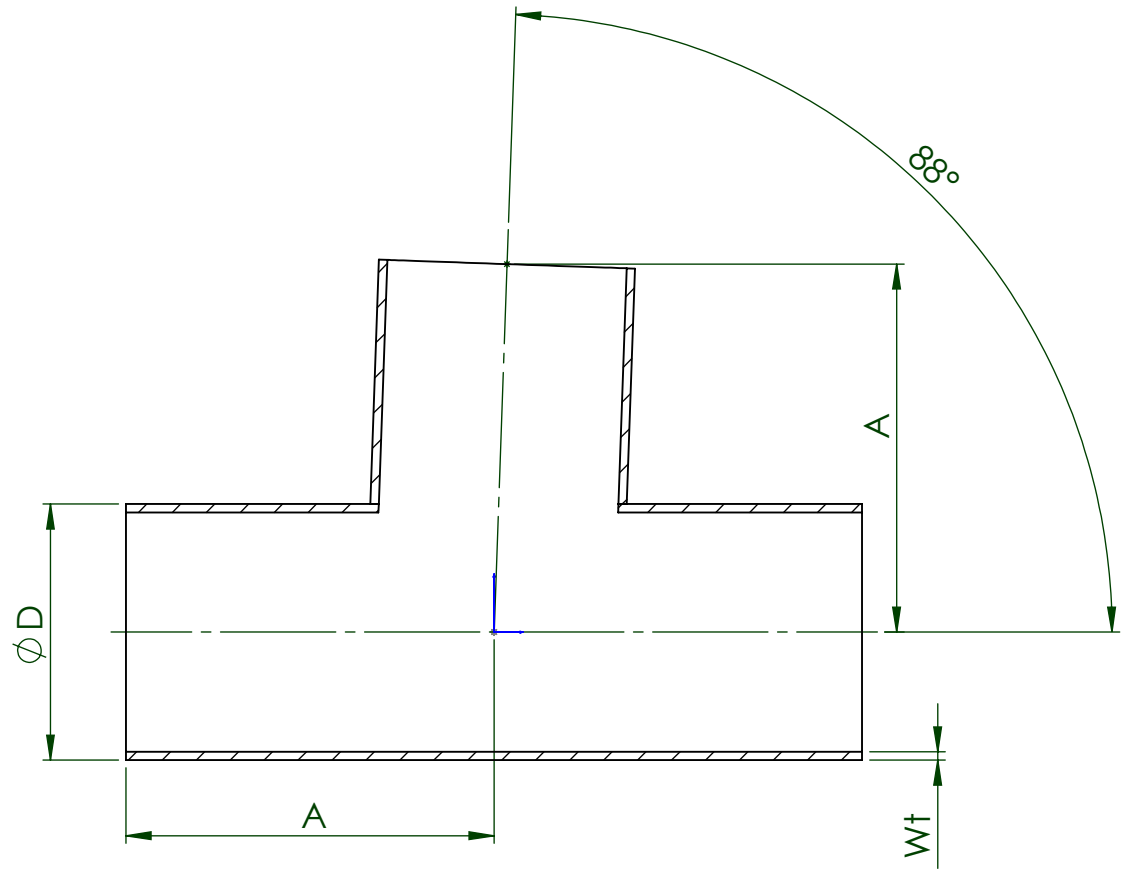


CODE	SIZE	A		D		Wt	
		[mm]	[inch]	[mm]	[inch]	[mm]	[inch]
TE7WWW886L1.0-..	1"	54.0	2.125	25.40	1	1.65	.065
TE7WWW886L1.5-..	1½"	60.3	2.375	38.10	1.5	1.65	.065
TE7WWW886L2.0-..	2"	73.0	2.875	50.80	2	1.65	.065
TE7WWW886L2.5-..	2½"	79.4	3.125	63.50	2.5	1.65	.065
TE7WWW886L3.0-..	3"	85.7	3.375	76.20	3	1.65	.065
TE7WWW886L4.0-..	4"	104.8	4.125	101.60	4	2.11	.083



	EGMO LTD. Tanks and stainless steel accessories P.O.B. 1111, 1 Hayotsrim St. 22110 Nahariya Israel Tel. 972-4-9855175 Fax: 972-4-9855173		
	Ordering Code: ATV_._WWW-7-_	Drawn Guy.S	4/12/2015
	Approved Alex.L	4/12/2015	
	Material: AISI 316L		
©2014 EGMO Ltd. All rights reserved. The information on this drawing may not be reproduced or republished without prior consent of EGMO Ltd	Finish: ASME BPE-2012 (Per ordering)		
	Size - A4	Rev: 0	
	Sheet 1 From 1		