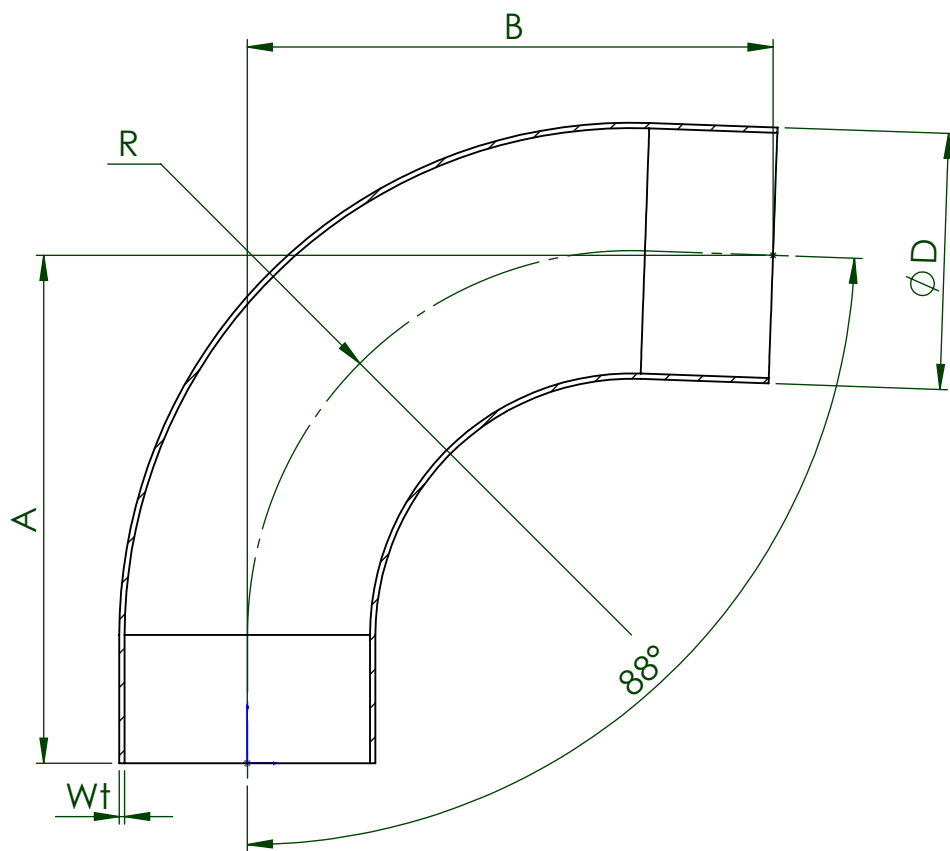


CODE	SIZE	A		B		D		R		Wt	
		[mm]	[inch]	[mm]	[inch]	[mm]	[inch]	[mm]	[inch]	[mm]	[inch]
TE2C6L.5-..	½"	74.68	2.94	77.22	3.04	12.70	.5	28.6	1.13	1.65	.065
TE2C6L.75-..	¾"	74.93	2.95	77.22	3.04	19.05	.75	28.6	1.13	1.65	.065
TE2C6L1.0-..	1"	74.93	2.95	77.22	3.05	25.40	1	38.1	1.50	1.65	.065
TE2C6L1.5-..	1½"	95.00	3.74	97.28	3.83	38.10	1.5	57.2	2.25	1.65	.065
TE2C6L2.0-..	2"	120.14	4.73	123.19	4.85	50.80	2	76.2	3.00	1.65	.065
TE2C6L2.5-..	2½"	138.18	5.44	143.00	5.63	63.50	2.5	95.25	3.75	1.65	.065
TE2C6L3.0-..	3"	157.23	6.19	162.81	6.41	76.20	3	114.3	4.50	1.65	.065
TE2C6L4.0-..	4"	201.42	7.93	208.53	8.21	101.60	4	152.4	6.00	2.11	.083



 EGMO	EGMO LTD. Tanks and stainless steel accessories P.O.B. 1111, 1 Hayotsrim St. 22110 Nahariya Israel Tel. 972-4-9855175 Fax: 972-4-9855173		
	Ordering Code: TE2S-92 ELBOW	Drawn Guy.S	4/7/2015
	Approved Alex.L	4/7/2015	
	Material:	AISI 316L	
©2014 EGMO Ltd. All rights reserved. The information on this drawing may not be reproduced or republished without prior consent of EGMO Ltd	Finish:	ASME BPE-2012 (Per ordering)	
	Size - A4	Rev: 0	Sheet 1 From 1