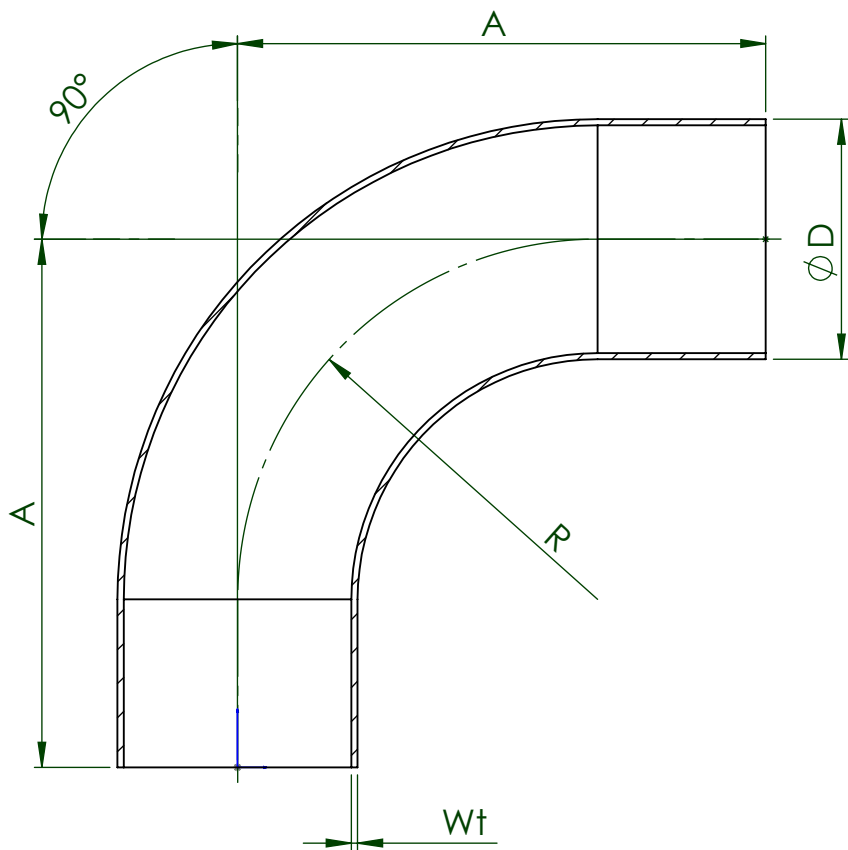




| CODE | SIZE | A | | D | | R | | Wt | |
|---------------|------|-------|--------|--------|--------|-------|--------|------|--------|
| | | [mm] | [inch] | [mm] | [inch] | [mm] | [inch] | [mm] | [inch] |
| TE2S6L.25-.. | ¼" | 66.7 | 2.625 | 6.35 | .25 | 15.9 | 0.62 | 0.89 | .035 |
| TE2S6L.375-.. | ⅜" | 66.7 | 2.625 | 9.52 | .375 | 25.4 | 1.00 | 0.89 | .035 |
| TE2S6L.5-.. | ½" | 76.2 | 3.000 | 12.70 | .5 | 28.6 | 1.13 | 1.65 | .065 |
| TE2S6L.75-.. | ¾" | 76.2 | 3.000 | 19.05 | .75 | 28.6 | 1.13 | 1.65 | .065 |
| TE2S6L1.0-.. | 1" | 76.2 | 3.000 | 25.40 | 1 | 38.1 | 1.5 | 1.65 | .065 |
| TE2S6L1.5-.. | 1½" | 95.3 | 3.750 | 38.10 | 1.5 | 57.2 | 2.25 | 1.65 | .065 |
| TE2S6L2.0-.. | 2" | 120.7 | 4.750 | 50.80 | 2 | 76.2 | 3.00 | 1.65 | .065 |
| TE2S6L2.5-.. | 2½" | 139.7 | 5.500 | 63.50 | 2.5 | 95.25 | 3.75 | 1.65 | .065 |
| TE2S6L3.0-.. | 3" | 158.8 | 6.250 | 76.20 | 3 | 114.3 | 4.50 | 1.65 | .065 |
| TE2S6L4.0-.. | 4" | 203.2 | 8.000 | 101.60 | 4 | 152.4 | 6.00 | 2.11 | .083 |
| TE2S6L6.0-.. | 6" | 292.1 | 11.500 | 152.40 | 6 | 228.6 | 9.00 | 2.77 | .109 |



| | | | |
|------------------------------------------------------------------------------------------------------------------------------------------------|-------------------------------------------------------------------------------------------------------------------------------------------------------|-----------------------|------------------|
|  | EGMO LTD. Tanks and stainless steel accessories P.O.B. 1111, 1 Hayotsrim St. 22110 Nahariya Israel Tel. 972-4-9855175 Fax: 972-4-9855173 | | |
| | Ordering Code: TE2S-90 ELBOW | Drawn Guy.S | 4/12/2015 |
| | Approved Alex.L | 4/12/2015 | |
| | Material: AISI 316L | | |
| ©2014 EGMO Ltd. All rights reserved. The information on this drawing may not be reproduced or republished without prior consent of EGMO Ltd | Finish: ASME BPE-2012 (Per ordering) | | |
|  | Size - A4 | Rev: 0 | |
| | Sheet 1 | From 1 | |