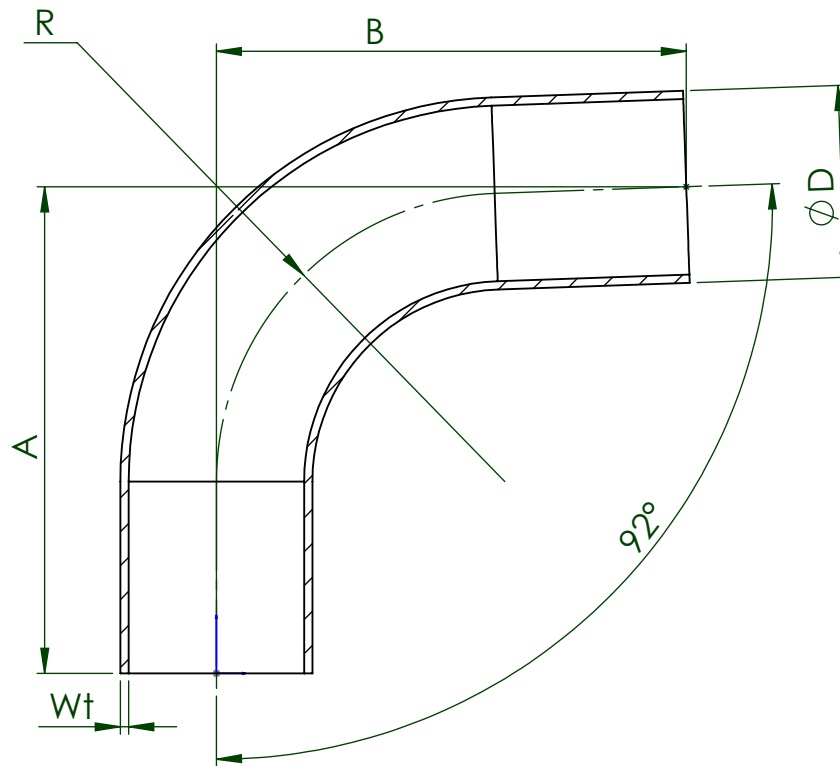



CODE	SIZE	A		B		D		R		Wt	
		[mm]	[inch]	[mm]	[inch]	[mm]	[inch]	[mm]	[inch]	[mm]	[inch]
TE2C6L.5-..	½"	77.72	3.06	75.18	2.96	12.70	.5	28.6	1.13	1.65	.065
TE2C6L.75-..	¾"	77.72	3.06	75.18	2.96	19.05	.75	28.6	1.13	1.65	.065
TE2C6L1.0-..	1"	87.12	3.43	74.93	2.95	25.40	1	38.1	1.50	1.65	.065
TE2C6L1.5-..	1½"	96.52	3.80	93.22	3.67	38.10	1.5	57.2	2.25	1.65	.065
TE2C6L2.0-..	2"	122.17	4.81	117.86	4.64	50.80	2	76.2	3.00	1.65	.065
TE2C6L2.5-..	2½"	141.22	5.56	136.40	5.37	63.50	2.5	95.25	3.75	1.65	.065
TE2C6L3.0-..	3"	160.27	6.31	154.69	6.09	76.20	3	114.3	4.50	1.65	.065
TE2C6L4.0-..	4"	204.98	8.07	197.87	7.79	101.60	4	152.4	6.00	2.11	.083



	<b>EGMO LTD.</b> Tanks and stainless steel accessories P.O.B. 1111, 1 Hayotsrim St. 22110 Nahariya Israel Tel. 972-4-9855175 Fax: 972-4-9855173		
	<b>Ordering Code:</b> TE2S-88 ELBOW	<b>Drawn</b> Guy.S	<b>4/7/2015</b>
	<b>Approved</b> Alex.L	<b>4/7/2015</b>	
	<b>Material:</b> AISI 316L		
©2014 EGMO Ltd. All rights reserved. The information on this drawing may not be reproduced or republished without prior consent of EGMO Ltd	<b>Finish:</b> ASME BPE-2012 (Per ordering)		
	<b>Size - A4</b>	<b>Rev: 0</b>	
	<b>Sheet 1 From 1</b>		