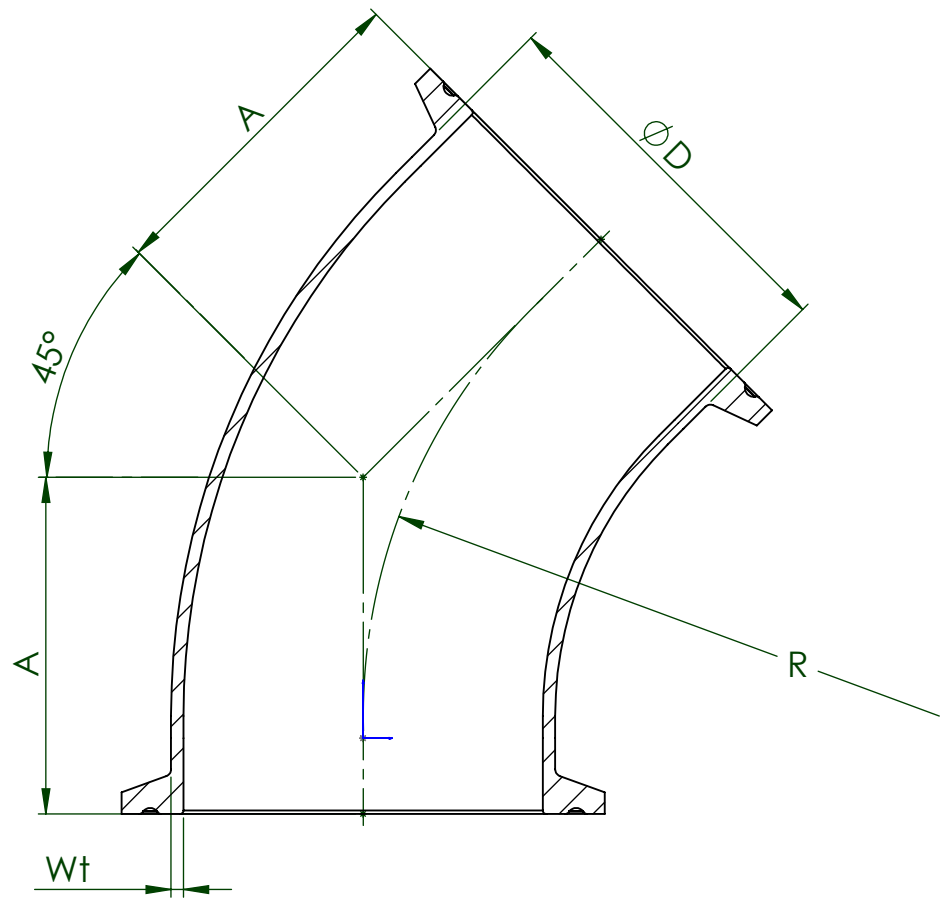



CODE	SIZE	A		D		R		Wt	
		[mm]	[inch]	[mm]	[inch]	[mm]	[inch]	[mm]	[inch]
TEG2K6L.25-..	¼"	25.4	1.000	6.35	.25	15.9	0.62	0.89	.035
TEG2K6L.375-..	⅜"	25.4	1.000	9.52	.375	25.4	1.00	0.89	.035
TEG2K6L.5-..	½"	25.4	1.000	12.70	.5	28.6	1.13	1.65	.065
TEG2K6L.75-..	¾"	25.4	1.000	19.05	.75	28.6	1.13	1.65	.065
TEG2K6L1.0-..	1"	28.6	1.125	25.40	1	38.1	1.50	1.65	.065
TEG2K6L1.5-..	1½"	36.5	1.438	38.10	1.5	57.2	2.25	1.65	.065
TEG2K6L2.0-..	2"	44.5	1.750	50.80	2	76.2	3.00	1.65	.065
TEG2K6L2.5-..	2½"	52.4	2.063	63.50	2.5	95.25	3.75	1.65	.065
TEG2K6L3.0-..	3"	60.3	2.375	76.20	3	114.3	4.50	1.65	.065
TEG2K6L4.0-..	4"	79.4	3.125	101.60	4	152.4	6.00	2.11	.083
TEG2K6L6.0-..	6"	133.4	5.250	152.40	6	228.6	9.00	2.77	.109



	<b>EGMO LTD.</b> Tanks and stainless steel accessories P.O.B. 1111, 1 Hayotsrim St. 22110 Nahariya Israel Tel. 972-4-9855175 Fax: 972-4-9855173		
	<b>Ordering Code:</b> TEG2K-45 ELBOW	<b>Drawn</b> Guy.S <b>4/12/2015</b>	<b>Approved</b> Alex.L <b>4/12/2015</b>
©2014 EGMO Ltd. All rights reserved. The information on this drawing may not be reproduced or republished without prior consent of EGMO Ltd		<b>Material:</b> AISI 316L  <b>Finish:</b> ASME BPE-2012 (Per ordering)	
	<b>Size - A4</b>	<b>Rev:</b> 0	<b>Sheet 1</b> From 1