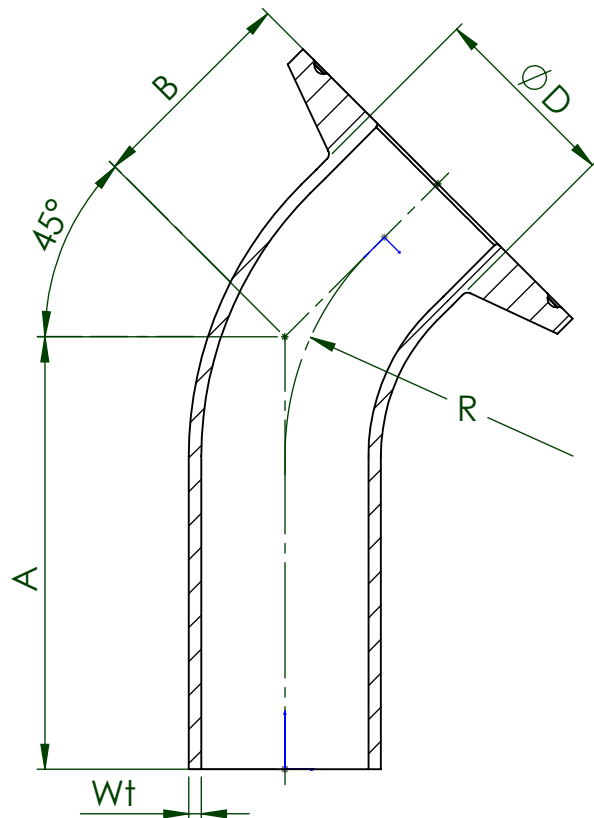




CODE	SIZE	A		B		D		R		Wt	
		[mm]	[inch]	[mm]	[inch]	[mm]	[inch]	[mm]	[inch]	[mm]	[inch]
TE2KC6L.25-..	¼"	50.8	2.000	25.4	1.000	6.35	.25	15.9	0.62	0.89	.035
TE2KC6L.375-..	⅜"	50.8	2.000	25.4	1.000	9.52	.375	25.4	1.00	0.89	.035
TE2KC6L.5-..	½"	57.2	2.250	25.4	1.000	12.70	.5	28.6	1.13	1.65	.065
TE2KC6L.75-..	¾"	57.2	2.250	25.4	1.000	19.05	.75	28.6	1.13	1.65	.065
TE2KC6L1.0-..	1"	57.2	2.250	28.6	1.125	25.40	1	38.1	1.50	1.65	.065
TE2KC6L1.5-..	1½"	63.5	2.500	36.5	1.438	38.10	1.5	57.2	2.25	1.65	.065
TE2KC6L2.0-..	2"	76.2	3.000	44.5	1.750	50.80	2	76.2	3.00	1.65	.065
TE2KC6L2.5-..	2½"	85.7	3.375	52.4	2.063	63.50	2.5	95.25	3.75	1.65	.065
TE2KC6L3.0-..	3"	92.1	3.625	60.3	2.375	76.20	3	114.3	4.50	1.65	.065
TE2KC6L4.0-..	4"	114.3	4.500	79.4	3.125	101.60	4	152.4	6.00	2.11	.083
TE2KC6L6.0-..	6"	158.8	6.250	133.4	5.250	152.40	6	228.6	9.00	2.77	.109



	EGMO LTD. Tanks and stainless steel accessories P.O.B. 1111, 1 Hayotstrim St. 22110 Nahariya Israel Tel. 972-4-9855175 Fax: 972-4-9855173		
	Ordering Code: TE2KC-45 ELBOW CLAMP ONE END	Drawn: Guy.S Approved: Alex.L Material: AISI 316L	4/12/2015 4/12/2015
©2014 EGMO Ltd. All rights reserved. The information on this drawing may not be reproduced or republished without prior consent of EGMO Ltd		Finish: ASME BPE-2012 (Per ordering)	
	Size - A4 Rev: 0	Sheet 1 From 1	