

VALVES



Check Valves

SPRING CHECK VALVE

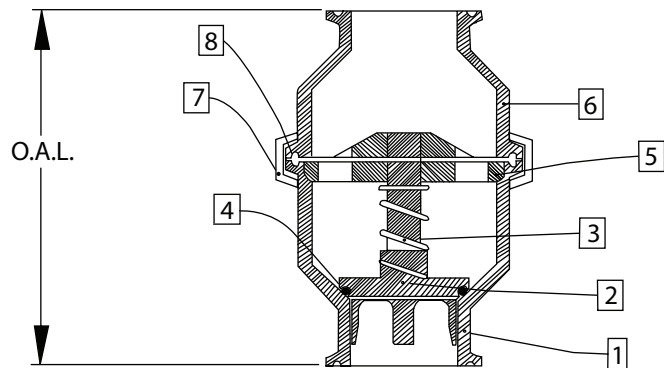
INFORMATION

- One piece stem with O-Ring construction (easy seal replacement and positive shut-off)
- Viton O-Ring standard (other available upon request)
- Clamp connections standard (other connections available upon request)
- Full Polished ID and OD
- All metal contact surfaces of T316L Stainless Steel
- Sizes range from .5" through 4.0"
- Meets 3A sanitary standards



PARTS BREAKDOWN

1. Lower body - (Body)
2. Stem - (2.0 thru 4.0 have guide fingers)
3. Spring - (3-5 psi) (Available upon request)
- 3L Spring Light - (1-3 psi) Standard
4. O -Ring - standard Viton
5. Stem guide
6. Upper body - (Bonnet)
7. Body Clamp .5 and" .75" = 13MHMM1.5 - H
Body Clamp 1.0" and 1.5" = 13MHMM2.5 - H
Body Clamp 2.0" = 13MHMM3.0 - H
Body Clamp 2.5" = 13MHMM4.0 - H
Body Clamp 3.0" = 13MHMM5.0 - H
Body Clamp 4.0" = 13MHP6.0
8. Clamp Gasket .5 and .75 = EG40V 1.5
Clamp Gasket 1.0 and 1.5 = EG40V 2.5
Clamp Gasket 2.0 = EG40V 3.0
Clamp Gasket 2.5 = EG40V 4.0
Clamp Gasket 3.0 = EG40V 5.0
Clamp Gasket 4.0 = EG40V 6.0



PART NUMBER SEQUENCE WHEN ORDERING COMPLETE VALVE:

45 (spring check) C (clamp) 6 (T316L) 2.0 (size) V (seat material) Example: 45C - 6 2.0 - V

When requesting O-Ring changes add the following to the end of part number

Note: V=Viton E=EDPM S=Silicone B=Buna,

PART NUMBER SEQUENCE WHEN ORDERING REPLACEMENT PARTS:

45-SCV (item number) - (valve size)

Example: 45-SCV1C-1.5 = Lower body clamp for 1.5 valve

Overall Length			
Valve Size	Standard Clamp	Weld and Other	Approx WTLBS
.5"	3 1/2	A.O.R	2.2
.75"	3 1/2	A.O.R.	2.2
1.0"	4 1/8	A.O.R	3.5
1.5"	4 9/16	A.O.R.	3.5
2.0"	5 1/16	A.O.R.	5.4
2.5"	5 3/8	A.O.R.	6
3.0"	6 1/8	A.O.R.	6.25
4.0"	8 1/8	A.O.R.	16

BALL CHECK VALVE

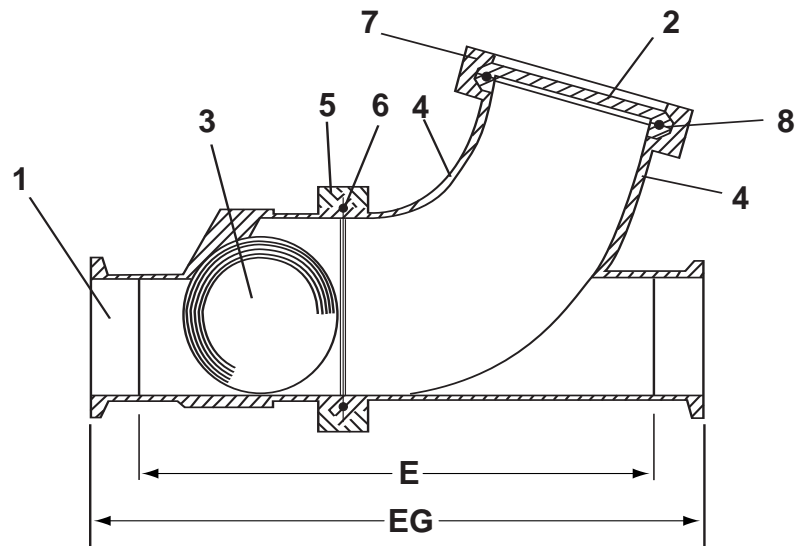
INFORMATION

- Precision machined seat to ensure positive shut-off
- Two-piece construction for easier alignment during installation
- Other connections available upon request
- Buna-N and Viton® elastomers
- Polished ID and OD
- All metal contact surfaces of T316L stainless steel
- Sizes range from 1 1/2" through 3"
- Meets 3A sanitary standards
- Buna Ball & Gaskets Standard



PARTS BREAKDOWN

1. Seat body - (Clamp)
- 1W. Seat body - (Weld)
2. Cap
- 3B. Ball-(Buna-N)
- 3V. Ball-(Viton®)
4. Angle body
- 4W. Angle body-(Weld)
5. Body clamp
- 6B. Body gasket-(Buna-N)
- 6V. Body gasket-(Viton®)
7. Cap clamp
- 8B. Cap gasket-(Buna-N)
- 8V. Cap gasket-(Viton®)



PART NUMBER SEQUENCE WHEN ORDERING COMPLETE VALVE:

- Clamp connections EG45BY-6 (valve size)
 Weld ends E45BYWW-6 (valve size)
 Note: If Viton® elastomers are required, add "V" after size

PART NUMBER SEQUENCE WHEN ORDERING REPLACEMENT PARTS:

- BCV (item number) - (valve size)
 Example: BCV3B-1.5 = Buna-N ball for 1.5 valve

Valve Size	Nominal Size				Actual Size	Overall Length		Approx. Wt. Lbs.
	1 & 4 Body	2 Cap	5 & 7 Clamp	6 & 8 Gasket	3 Ball	EG Clamp	E Weld	
1.5	1.5"	2.5"	2.5"	2.5"	2 1/8"	10	9	4.80
2.0"	2.0"	3.0"	3.0"	3.0"	2 5/8"	11	10	6.30
2.5"	2.5"	4.0"	4.0"	4.0"	3 5/16"	14 1/8	13 1/8	10.20
3.0"	3.0"	4.5"	4.5"	4.5"	4 1/4"	13 5/8	12 5/8	11.50
*3.0"	3.0"	4.0"	4.0"	4.0"	3 5/16"	13 5/8"	12 5/8"	11.50

* Redesigned February 2003. Valves purchased after 2/03 use *3.0 dimensions.

SPRING CHECK VALVE

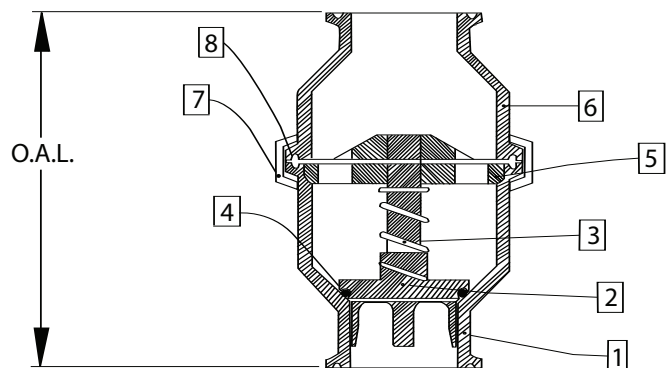
INFORMATION

- One piece stem with O-Ring construction (easy seal replacement and positive shut-off)
- Viton O-Ring standard (other available upon request)
- Clamp connections standard (other connections available upon request)
- Full Polished ID and OD
- All metal contact surfaces of T316L Stainless Steel
- Sizes range from .5" through 4.0"
- Meets 3A sanitary standards



PARTS BREAKDOWN

1. Lower body - (Body)
2. Stem - (2.0 thru 4.0 have guide fingers)
3. Spring - (3-5 psi) (Available upon request)
- 3L Spring Light - (1-3 psi) Standard
4. O -Ring - standard Viton
5. Stem guide
6. Upper body - (Bonnet)
7. Body Clamp .5 and" .75" = 13MHMM1.5 - H
Body Clamp 1.0" and 1.5" = 13MHMM2.5 - H
Body Clamp 2.0" = 13MHMM3.0 - H
Body Clamp 2.5" = 13MHMM4.0 - H
Body Clamp 3.0" = 13MHMM5.0 - H
Body Clamp 4.0" = 13MHMM6.0 - H
8. Clamp Gasket .5 and .75 = EG40V 1.5
Clamp Gasket 1.0 and 1.5 = EG40V 2.5
Clamp Gasket 2.0 = EG40V 3.0
Clamp Gasket 2.5 = EG40V 4.0
Clamp Gasket 3.0 = EG40V 5.0
Clamp Gasket 4.0 = EG40V 6.0



PART NUMBER SEQUENCE WHEN ORDERING COMPLETE VALVE:

45 (spring check) C (clamp) 6 (T316L) 2.0 (size) V (seat material) Example: 45C - 6 2.0 - V

When requesting O-Ring changes add the following to the end of part number

Note: V=Viton E=EDPM S=Silicone B=Buna,

PART NUMBER SEQUENCE WHEN ORDERING REPLACEMENT PARTS:

45-SCV (item number) - (valve size)

Example: 45-SCV1C-1.5 = Lower body clamp for 1.5 valve

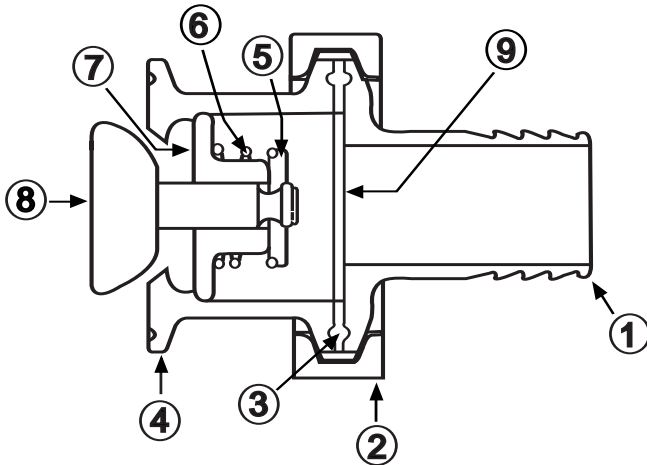
Overall Length			
Valve Size	Standard Clamp	Weld and Other	Approx WT LBS
.5"	3 1/2	A.O.R	2.2
.75"	3 1/2	A.O.R.	2.2
1.0"	4 1/8	A.O.R	3.5
1.5"	4 9/16	A.O.R.	3.5
2.0"	5 1/16	A.O.R.	5.4
2.5"	5 3/8	A.O.R.	6
3.0"	6 1/8	A.O.R.	6.25
4.0"	8 1/8	A.O.R.	16

AIR BLOW CHECK VALVE

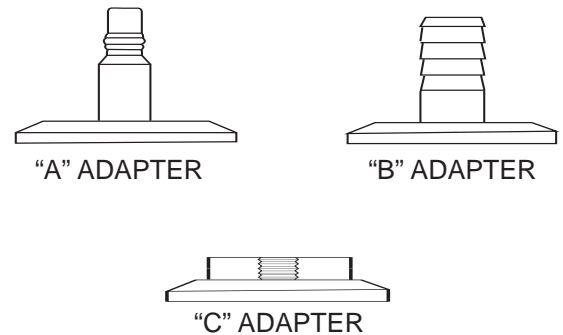
ILLUSTRATION

Air Blow Check Valves are made of T316L Stainless Steel and are offered with EPDM or Viton® Elastomers.

Note: EDPM Stem Standard



AIR BLOW CHECK VALVE CONNECTIONS



PART NUMBER SEQUENCE WHEN ORDERING COMPLETE VALVE

EG62A-6L SIZE = "A" Connection
 EG62B-6L SIZE = "B" Connection (shown)
 EG62C-6L SIZE = "C" Connection
 For Viton® Add "V" to end of part number

PARTS LIST

1. ADAPTER

- ABV1A = Air Line Quick Coupler
- ABV1B = Rubber Hose Barb 1"
- ABV1C = Thermometer Cap
 - 1. EG23B-6L 1.5 x .375 FNPT
 - 2. EG23B-6L 1.0 x .500 FNPT

2. CLAMP

- 13MHHM 1.5 = 1 1/2" All Sizes

3. PERFORATED DISC

- ABV3 1.5 = 1 1/2" EPDM
- ABV3-V 1.5 = 1 1/2" Viton®

4. VALVE BODY

- ABV4 1.5 = 1 1/2" Clamp Body
- ABV4 2.0 = 2" Clamp Body
- ABV4 2.5 = 2 1/2" Clamp Body
- ABV4 3.0 = 3" Clamp Body
- ABV4 4.0 = 4" Clamp Body

5. SPRING RETAINER

- ABV5 = All Sizes

6. SPRING

- ABV6 = All Sizes

7. STEM GUIDE

- ABV7 = All Sizes

8. STEM

- ABV8 = EPDM Stem
- ABV8-V = Viton® Stem

9. FILTER DISC

- ABV9
- 50 / PKG.

AIR BLOW CHECK VALVE

AIR BLOW CHECK VALVE ABILITIES

- VNE Air Blow Check Valves are designed to evacuate lines of product or CIP solutions.
- Fail Safe Operation - backflow of product or CIP solution prevented by simple air to open, spring to close operation.
- Easy Assembly / Disassembly - Clamp connections permit quick disassembly and assembly for replacing Filter Media, cleaning or inspection.
- Made of T316L stainless steel offered with EPDM or Viton® Stem and Gasket.
- Meets 3A standards - for applications requiring a final filtering of air prior to entering tank or pipelines.
- Note:
The Air Blow Check Valve must be used with a Filter Disc. These Filter Discs are available in packages of 50.

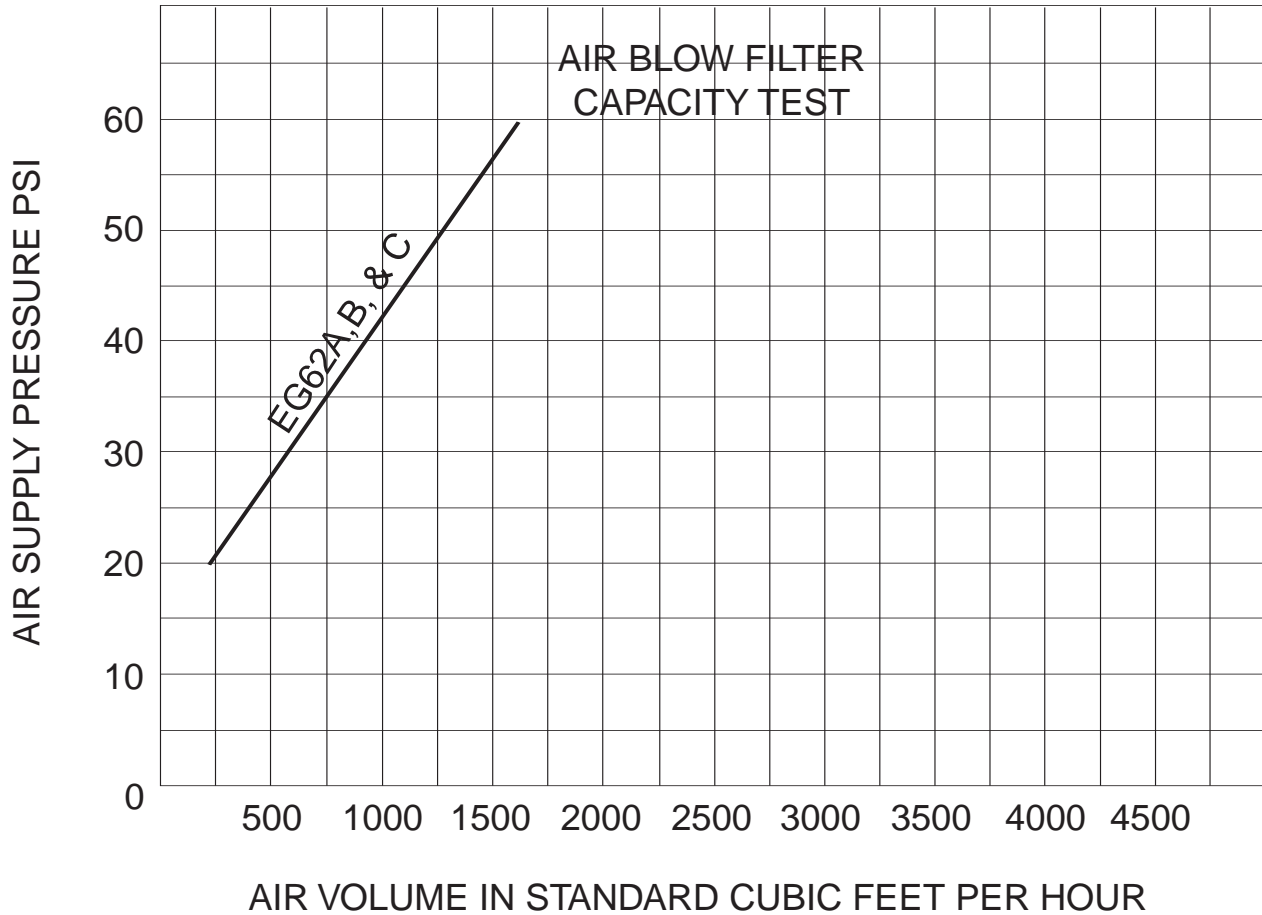
- * For use on Ball Check Valves:
 - 1 1/2" Ball Check Valve uses 2 1/2" Air Blow Valve
 - 2" Ball Check Valve uses 3" Air Blow Valve
 - 2 1/2" Ball Check Valve uses 4" Air Blow Valve
 - 3" Ball Check Valve uses 4" Air Blow Valve

AIR BLOW CHECK VALVE DIMENSION TABLE

Part Number	Description		1 1/2"	2"	2 1/2"	3"	4"
EG62A-6L	"A" Adapter	Length	2.500	2.500	2.500	2.500	2.500
EG62A-6L	"A" Adapter	O.D.	1.984	2.516	3.047	3.579	4.682
EG62B-6L	"B" Adapter	Length	4.875	4.875	4.875	4.875	4.875
EG62B-6L	"B" Adapter	O.D.	1.984	2.516	3.047	3.579	4.682
EG62C-6L	"C" Adapter	Length	2.000	2.000	2.000	2.000	2.000
EG62C-6L	"C" Adapter	O.D.	1.984	2.516	3.047	3.579	4.682

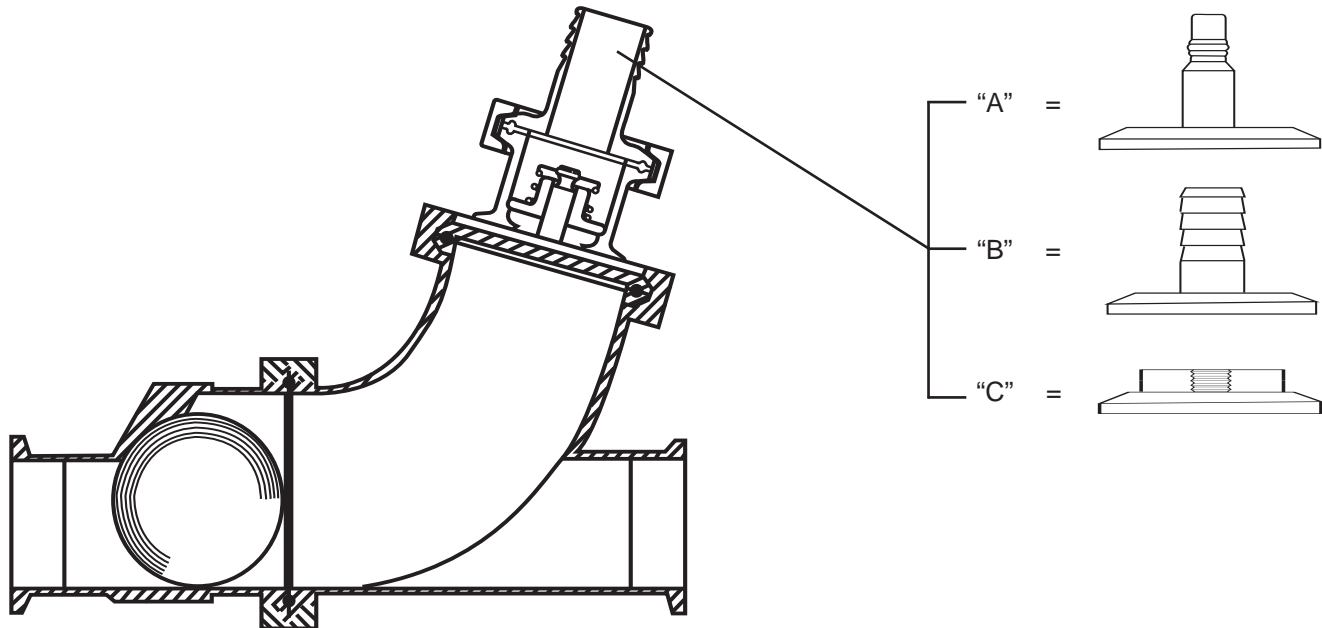
AIR BLOW CHECK VALVE

DISPOSABLE AIR FILTER MEDIA CAPACITY TEST



AIR BLOW CHECK VALVE

BALL CHECK WITH AIR BLOW CHECK VALVE



* For dimensional information see individual components

BALL CHECK WITH AIR BLOW CHECK VALVE

- Air Blow Check Valves are commonly used on ball check valves to evacuate lines of product or CIP solutions
- Easy assembly and disassembly of Air Blow Check Valve
- Buna Ball Check Valve offered standard with EPDM Air Blow Check Valve with Viton® options

PART NUMBERS FOR BALL CHECK WITH AIR BLOW CHECK VALVE

CLAMP	EG45ABA-6 SIZE = "A" Connection	WELD	E45WWABA-6 SIZE = "A" Connection
	EG45ABB-6 SIZE = "B" Connection		E45WWABB-6 SIZE = "B" Connection
	EG45ABC-6 SIZE = "C" Connection		E45WWABC-6 SIZE = "C" Connection

*For Viton® Ball, Stem, and Elastomers Add "V" to end of part number