



## Hygienic Flow Equipment

3A PVE Single Seat Valves



Semiconductor



Bio-Pharm



Hygienic



NEUMO Ehrenberg Group

Originally installed in 2005, these high quality EGMO single seat valves, still provide excellent service to this dairy manufacturing plant.



# 3A PVE Single Seat Valves

## MaxClean single seat valve for sanitary applications (pneumatic / manually operated)

PVE Valves are available in three operating modules: Air Actuated; Air Actuated with an electronic control head; and manually operated. PVE valves popular applications are the following: Shut-off Valve, Divert Valve, Tank Outlet and Pressure Relief Valve. Connections consist of Clamp, Weld, Bevel Seat, and E-Line. EGMO's PVE Valves are made of AISI 316L Stainless steel which meet all 3A requirements and are offered in 1" through 4" sizes. Unique patent pending sealing system.

## Valve Series



**Shut-Off  
Valve**



**Divert  
Valve**



**Pressure  
Relief Valve**



**Tank bottom  
Valve**

## Content

Shut-Off Valve.....	page 6
Divert Valve.....	page 12
Pressure Relief Valve.....	page 20
Tank bottom valve.....	page 21
Control head.....	page 26
Maximum Working Pressure Data.....	page 30

# 3A PVE Features and Benefits

## Standards



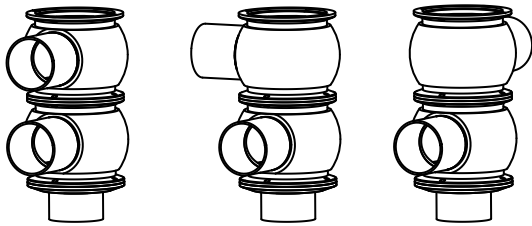
## Robust and Durable

- ✓ Due to the valve's unique structure, the O-ring remains protected from wear and exposure to abrasive media
- ✓ AISI 316L stainless-steel body and parts, made from bar for maximum durability and cleanability
- ✓ Designed to withstand up to 1M operations



## Smart Installation and Operation

- ✓ 360° adjustable
- ✓ Simple adjustment between Normally open / Normally closed with no need for actuator change
- ✓ Suitable for Shut off, Divert and Vessel outlet configurations



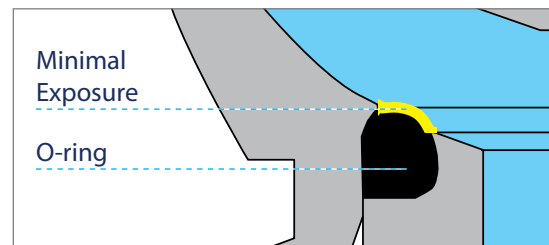
## Sterility

- ✓ One-part stem for optimal sterility and aseptic applications
- ✓ Process contact components are electro-polished for corrosion resistance & reduced risk of bacterial growth
- ✓ Full drainage without dead leg



## Optimal CIP Cleaning

- ✓ Ball shape and surfaces - no dead spaces
- ✓ O-ring seat in the valve ensures minimal exposure to the flow



## Cost Effective Maintenance

- ✓ Both top and bottom parts of the valve are identical
- ✓ Unique Patent Pending sealing system utilizing standard O-ring sealing



# 3A PVE - Shut-off Valve

## Used for opening and closing the fluids path

- ✓ Spherical shape with zero dead leg
- ✓ Easy to maintain with standard O-Ring
- ✓ Fast changeover from N/C to N/O fail position
- ✓ Clamp connection between the valve parts
- ✓ Butt weld or clamp ends
- ✓ Minimum gasket exposure
- ✓ Visual bleeding hole to inspect leaks
- ✓ Hygienic modules

N/C and N/O operations in one actuator

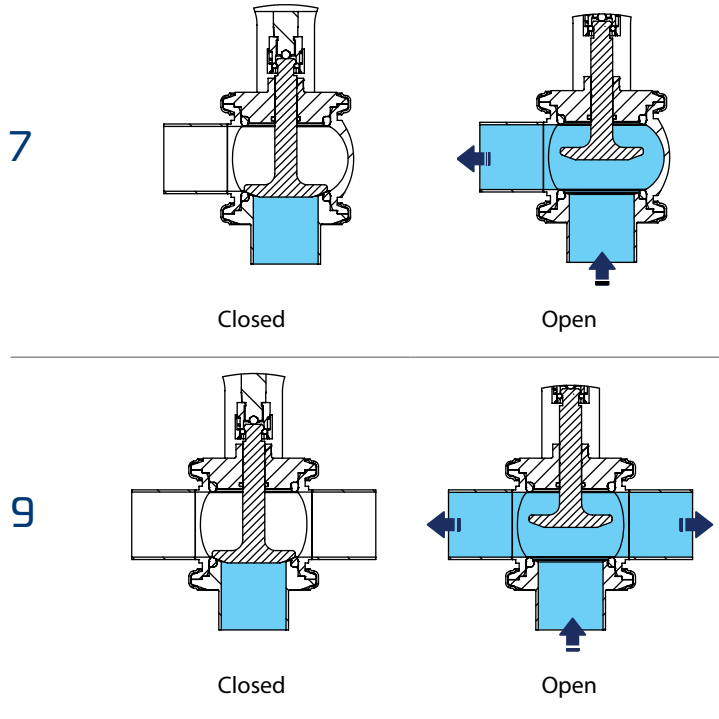
Robust, ball-shaped body made of AISI 316L stainless-steel (made from full bar)

Static O-ring to minimize wear and erosion  
Minimal exposure of the O-ring to the flow

Optimum CIP cleaning due to ball shape and surfaces - no dead spaces



## Configuration and Flow direction options



## How To Order

**E** **G** **P** **V** **E** - **7** - **N** **C** - **1.0** - **V** - **A** **S** **I**

Valve Type                      Valve Configuration                      Actuation Type                      Size                      Seals                      Control Head

Type Connection	Valve Configuration	Actuation Type	Size	Seals	Control Head
EGPVE - CLAMP	7 - Shut Off	NC	1.0	DEFAULT - EPDM	ASI
EPVE - WELD	9 - Cross Shut Off	NO	1.5	V - Viton	24V
		MAN	2.0	S - Silicone	110V
			2.5		1IPS - One Inductive Proximity Switch
			3.0		2IPS - Two Inductive Proximity Switch
			4.0		(Proximity Switch Diameter 12mm)

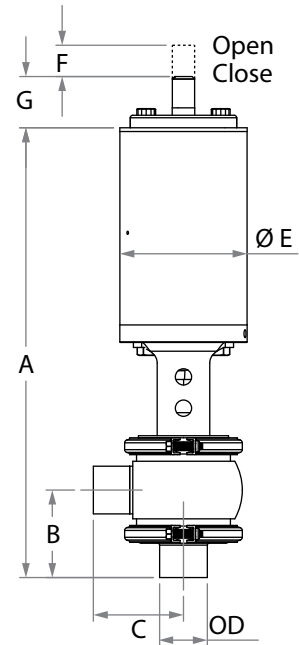
\* See page 26 for Control head details



## 3A PVE Shut-Off Valve Dimensions

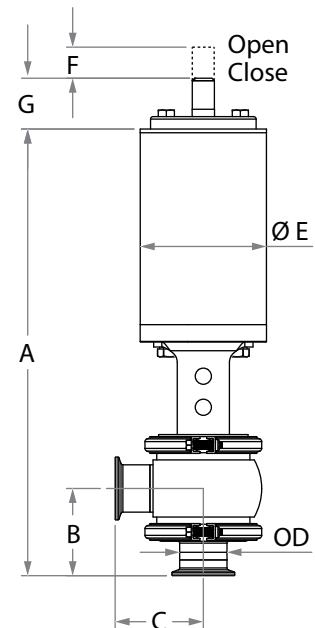
### Weld Ends (7)

Size/OD		Name	Item	A	B	C	E	G	F
1" (25.4)	Epdm	EPVE-7-NC-1.0	611-00684	11.00 (279.5)	2.00 (50.8)	2.00 (50.8)	2.76 (70)	1.18 (30)	0.43 (11)
	Viton	EPVE-7-NC-1.0-V	611-00829						
	Silicone	EPVE-7-NC-1.0-S	611-00936						
1½" (38.1)	Epdm	EPVE-7-NC-1.5	611-00438	13.66 (347)	2.24 (57)	2.76 (70)	4.00 (101.6)	1.46 (37)	1.00 (25.4)
	Viton	EPVE-7-NC-1.5-V	611-00025						
	Silicone	EPVE-7-NC-1.5-S	611-00937						
2" (50.8)	Epdm	EPVE-7-NC-2.0	611-00037	14.57 (370)	3.00 (76.2)	3.50 (89)	4.00 (101.6)	1.42 (36)	1.06 (26.8)
	Viton	EPVE-7-NC-2.0-V	611-00030						
	Silicone	EPVE-7-NC-2.0-S	611-00938						
2½" (63.5)	Epdm	EPVE-7-NC-2.5	611-00496	16.38 (416)	3.00 (76.2)	3.50 (89)	5.08 (129)	1.69 (43)	1.46 (37.1)
	Viton	EPVE-7-NC-2.5-V	611-00052						
	Silicone	EPVE-7-NC-2.5-S	611-00939						
3" (76.2)	Epdm	EPVE-7-NC-3.0	611-00441	17.05 (433)	3.27 (83)	3.74 (95)	5.08 (129)	1.69 (43)	1.53 (38.9)
	Viton	EPVE-7-NC-3.0-V	611-00830						
	Silicone	EPVE-7-NC-3.0-S	611-00940						
4" (101.6)	Epdm	EPVE-7-NC-4.0	611-00499	21.42 (544)	5.00 (127)	4.92 (125)	6.61 (168)	1.65 (42)	1.26 (32)
	Viton	EPVE-7-NC-4.0-V	611-00887						
	Silicone	EPVE-7-NC-4.0-S	611-00941						



### Clamp Ends (7)

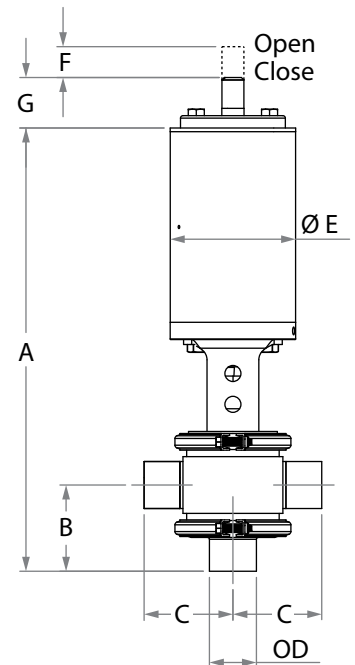
Size/OD		Name	Item	A	B	C	E	G	F
1" (25.4)	Epdm	EGPVE-7-NC-1.0	611-00739	11.00 (279.5)	2.00 (50.8)	2.00 (50.8)	2.76 (70)	1.18 (30)	0.43 (11)
	Viton	EGPVE-7-NC-1.0-V	611-00803						
	Silicone	EGPVE-7-NC-1.0-S	611-00897						
1½" (38.1)	Epdm	EGPVE-7-NC-1.5	611-00016	14.13 (359)	2.76 (70)	2.76 (70)	4.00 (101.6)	1.46 (37)	1.00 (25.4)
	Viton	EGPVE-7-NC-1.5-V	611-00767						
	Silicone	EGPVE-7-NC-1.5-S	611-00544						
2" (50.8)	Epdm	EGPVE-7-NC-2.0	611-00035	15.08 (383)	3.50 (89)	3.50 (89)	4.00 (101.6)	1.42 (36)	1.06 (26.8)
	Viton	EGPVE-7-NC-2.0-V	611-00766						
	Silicone	EGPVE-7-NC-2.0-S	611-00898						
2½" (63.5)	Epdm	EGPVE-7-NC-2.5	611-00419	16.89 (429)	3.50 (89)	3.50 (89)	5.08 (129)	1.69 (43)	1.46 (37.1)
	Viton	EGPVE-7-NC-2.5-V	611-00804						
	Silicone	EGPVE-7-NC-2.5-S	611-00899						
3" (76.2)	Epdm	EGPVE-7-NC-3.0	611-00418	17.56 (446)	3.74 (95)	3.74 (95)	5.08 (129)	1.69 (43)	1.53 (38.9)
	Viton	EGPVE-7-NC-3.0-V	611-00590						
	Silicone	EGPVE-7-NC-3.0-S	611-00900						
4" (101.6)	Epdm	EGPVE-7-NC-4.0	611-00872	21.42 (544)	5.00 (127)	4.92 (125)	6.61 (168)	1.65 (42)	1.26 (32)
	Viton	EGPVE-7-NC-4.0-V	611-00884						
	Silicone	EGPVE-7-NC-4.0-S	611-00901						





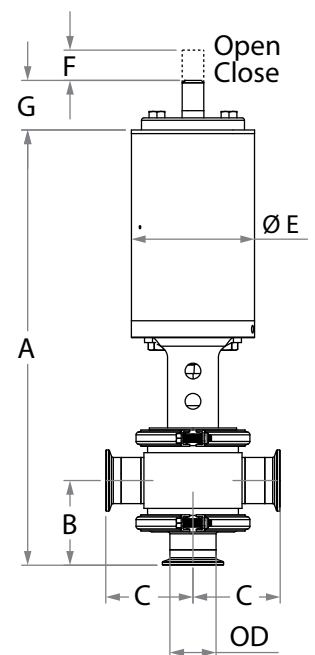
## Weld Ends (9)

Size/OD		Name	Item	A	B	C	E	G	F
1" (25.4)	Epdm	EPVE-9-NC-1.0	611-00686	11.00	2.00	2.00	2.76	1.18	0.43
	Viton	EPVE-9-NC-1.0-V	611-00849	(279.5)	(50.8)	(50.8)	(70)	(30)	(11)
	Silicone	EPVE-9-NC-1.0-S	611-00954						
1½" (38.1)	Epdm	EPVE-9-NC-1.5	611-00473	13.66	2.24	2.76	4.00	1.46	1.00
	Viton	EPVE-9-NC-1.5-V	611-00517	(347)	(57)	(70)	(101.6)	(37)	(25.4)
	Silicone	EPVE-9-NC-1.5-S	611-00955						
2" (50.8)	Epdm	EPVE-9-NC-2.0	611-00047	14.57	3.00	3.50	4.00	1.42	1.06
	Viton	EPVE-9-NC-2.0-V	611-00048	(370)	(76.2)	(89)	(101.6)	(36)	(26.8)
	Silicone	EPVE-9-NC-2.0-S	611-00956						
2½" (63.5)	Epdm	EPVE-9-NC-2.5	611-00506	16.38	3.00	3.50	5.08	1.69	1.46
	Viton	EPVE-9-NC-2.5-V	611-00050	(416)	(76.2)	(89)	(129)	(43)	(37.1)
	Silicone	EPVE-9-NC-2.5-S	611-00957						
3" (76.2)	Epdm	EPVE-9-NC-3.0	611-00508	17.05	3.27	3.74	5.08	1.69	1.53
	Viton	EPVE-9-NC-3.0-V	611-00851	(433)	(83)	(95)	(129)	(43)	(38.9)
	Silicone	EPVE-9-NC-3.0-S	611-00958						
4" (101.6)	Epdm	EPVE-9-NC-4.0	611-00879	21.42	5.00	4.92	6.61	1.65	1.26
	Viton	EPVE-9-NC-4.0-V	611-00895	(544)	(127)	(125)	(168)	(42)	(32)
	Silicone	EPVE-9-NC-4.0-S	611-00959						

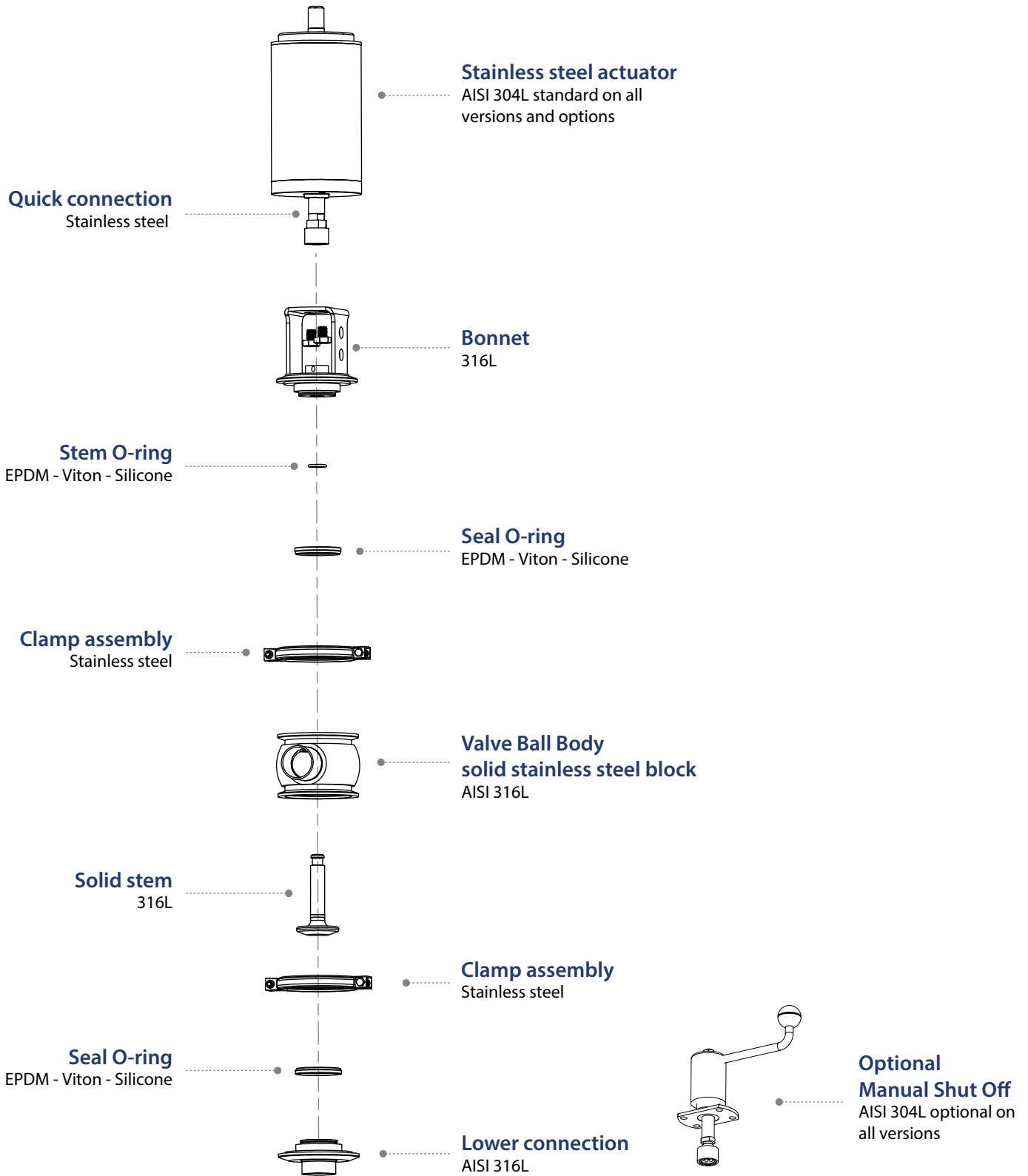


## Clamp Ends (9)

Size/OD		Name	Item	A	B	C	E	G	F
1" (25.4)	Epdm	EGPVE-9-NC-1.0	611-00469	11.00	2.00	2.00	2.76	1.18	0.43
	Viton	EGPVE-9-NC-1.0-V	611-00757	(279.5)	(50.8)	(50.8)	(70)	(30)	(11)
	Silicone	EGPVE-9-NC-1.0-S	611-00914						
1½" (38.1)	Epdm	EGPVE-9-NC-1.5	611-00432	14.13	2.76	2.76	4.00	1.46	1.00
	Viton	EGPVE-9-NC-1.5-V	611-00733	(359)	(70)	(70)	(101.6)	(37)	(25.4)
	Silicone	EGPVE-9-NC-1.5-S	611-00915						
2" (50.8)	Epdm	EGPVE-9-NC-2.0	611-00068	15.08	3.50	3.50	4.00	1.42	1.06
	Viton	EGPVE-9-NC-2.0-V	611-00727	(383)	(89)	(89)	(101.6)	(36)	(26.8)
	Silicone	EGPVE-9-NC-2.0-S	611-00916						
2½" (63.5)	Epdm	EGPVE-9-NC-2.5	611-00417	16.89	3.50	3.50	5.08	1.69	1.46
	Viton	EGPVE-9-NC-2.5-V	611-00538	(429)	(89)	(89)	(129)	(43)	(37.1)
	Silicone	EGPVE-9-NC-2.5-S	611-00917						
3" (76.2)	Epdm	EGPVE-9-NC-3.0	611-00489	17.56	3.74	3.74	5.08	1.69	1.53
	Viton	EGPVE-9-NC-3.0-V	611-00734	(446)	(95)	(95)	(129)	(43)	(38.9)
	Silicone	EGPVE-9-NC-3.0-S	611-00918						
4" (101.6)	Epdm	EGPVE-9-NC-4.0	611-00877	21.42	5.00	4.92	6.61	1.65	1.26
	Viton	EGPVE-9-NC-4.0-V	611-00894	(544)	(127)	(125)	(168)	(42)	(32)
	Silicone	EGPVE-9-NC-4.0-S	611-00919						



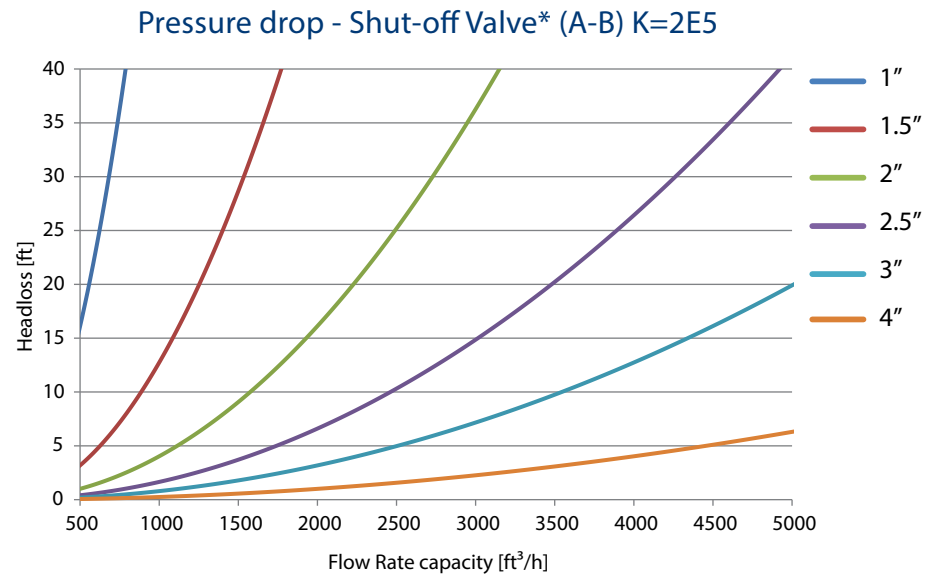
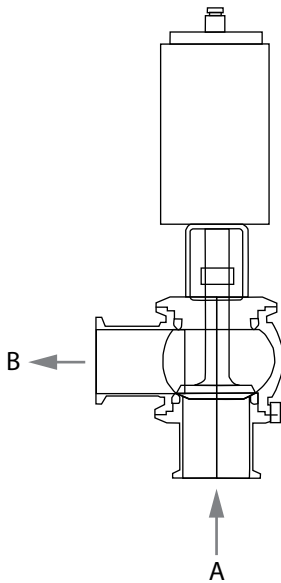
## 3A PVE Shut-Off Valve Components & Materials



## 3A PVE - Shut-Off Valve Pressure Drop Vs Flow Rate Capacity Diagram

$$HI = \frac{K \cdot F^2}{2g \cdot D^4}$$

HI - Head Loss [ft]  
 K - Loss coefficient [ ]  
 F - Flow Rate capacity [ft<sup>3</sup>/h]  
 g - Gravitational acceleration [ft/s<sup>2</sup>]  
 D - Valve diameter [inch]



\* For additional valve configuration (9) please refer to EGMO website



# 3A PVE - Divert Valve

## Used for opening / closing or changing the fluids path

- ✓ Spherical shape with zero dead leg
- ✓ Easy to maintain with standard O-Ring
- ✓ Fast changeover from N/C to N/O fail position
- ✓ Clamp connection between the valve parts
- ✓ Butt weld or clamp ends
- ✓ Minimum gasket exposure
- ✓ Visual bleeding hole to inspect leaks
- ✓ Hygienic modules

N/C and N/O operations in one actuator

Minimal exposure of the O-ring to the flow

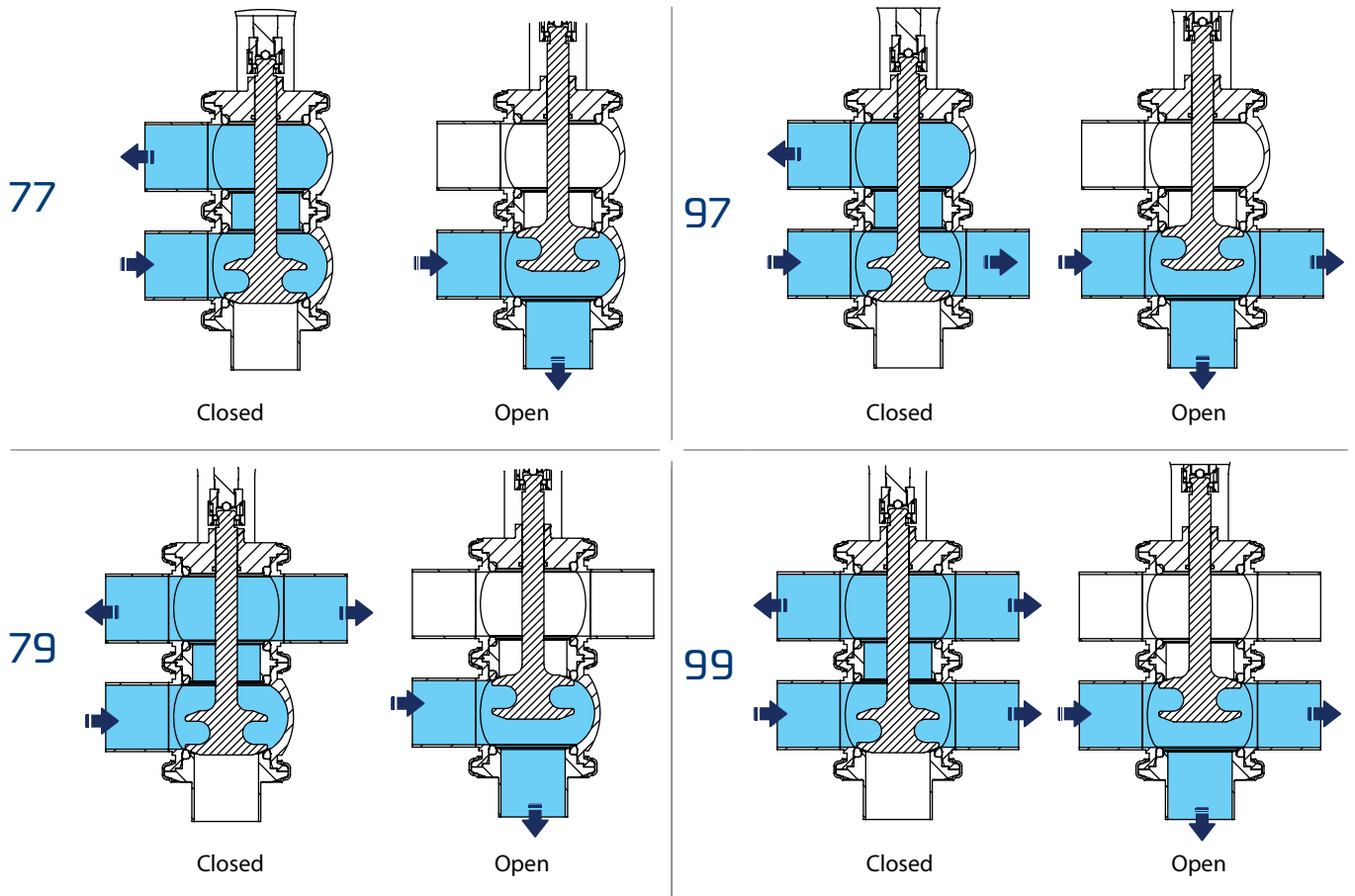
Robust, ball-shaped body made of AISI 316L stainless-steel (made from full bar)

Static O-ring to minimize wear and erosion

Optimum CIP cleaning due to ball shape and surfaces - no dead spaces



## Configuration and Flow direction options



## How To Order

**E G P V E - 7 7 - N C - 1 . 0 - V - A S I**

Valve Type      Valve Configuration      Actuation Type      Size      Seals      Control Head

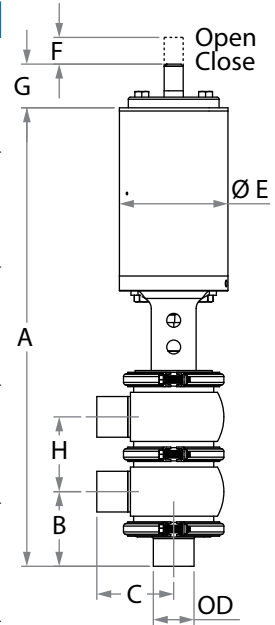
Type Connection	Valve Configuration	Actuation Type	Size	Seals	Control Head
EGPVE - CLAMP	77 - Divert	NC	1.0	DEFAULT - EPDM	ASI
EPVE - WELD	79 - Divert	NO	1.5	V - Viton	24V
	97 - Divert	MAN	2.0	S - Silicone	110V
	99 - Divert		2.5		1IPS - One Inductive Proximity Switch
			3.0		2IPS - Two Inductive Proximity Switch
			4.0		(Proximity Switch Diameter 12mm)

\* See page 26 for Control head details

## 3A PVE Divert Valve Dimensions

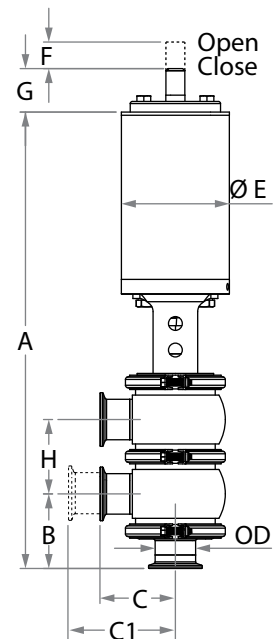
### Weld Ends (77)

Size/OD		Name	Item	A	B	C	E	G	H	F
1" (25.4)	Epdm	EPVE-77-NC-1.0	611-00688	13.00	2.00	2.00	2.76	1.18	1.97	0.39
	Viton	EPVE-77-NC-1.0-V	611-00866	(330.2)	(50.8)	(50.8)	(70)	(30)	(50)	(10)
	Silicone	EPVE-77-NC-1.0-S	611-00942							
1½" (38.1)	Epdm	EPVE-77-NC-1.5	611-00020	16.38	2.24	2.76	4.00	1.38	2.76	0.96
	Viton	EPVE-77-NC-1.5-V	611-00863	(416)	(57)	(70)	(101.6)	(35)	(70)	(24.5)
	Silicone	EPVE-77-NC-1.5-S	611-00943							
2" (50.8)	Epdm	EPVE-77-NC-2.0	611-00041	17.76	3.00	3.50	4.00	1.38	3.11	0.96
	Viton	EPVE-77-NC-2.0-V	611-00475	(451)	(76.2)	(89)	(101.6)	(35)	(79)	(24.4)
	Silicone	EPVE-77-NC-2.0-S	611-00944							
2½" (63.5)	Epdm	EPVE-77-NC-2.5	611-00494	20.28	3.00	3.50	5.08	1.69	3.94	1.33
	Viton	EPVE-77-NC-2.5-V	611-00055	(515)	(76.2)	(89)	(129)	(43)	(100)	(33.9)
	Silicone	EPVE-77-NC-2.5-S	611-00945							
3" (76.2)	Epdm	EPVE-77-NC-3.0	611-00442	21.85	3.27	3.74	5.08	1.54	4.76	1.36
	Viton	EPVE-77-NC-3.0-V	611-00065	(555)	(83)	(95)	(129)	(39)	(121)	(34.5)
	Silicone	EPVE-77-NC-3.0-S	611-00946							
4" (101.6)	Epdm	EPVE-77-NC-4.0	611-00875	27.32	5.00	4.92	6.61	1.65	5.91	1.18
	Viton	EPVE-77-NC-4.0-V	611-00888	(694)	(127)	(125)	(168)	(42)	(150)	(30)
	Silicone	EPVE-77-NC-4.0-S	611-00947							



### Clamp Ends (77)

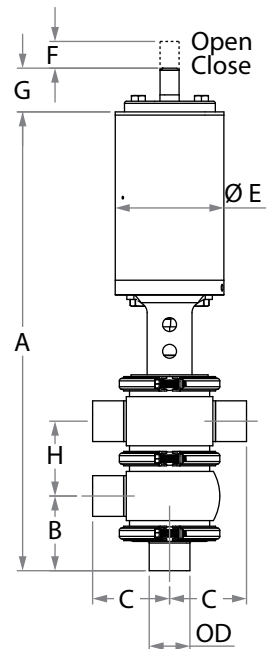
Size/OD		Name	Item	A	B	C	E	G	H	F
1"* (25.4)	Epdm	EGPVE-77-NC-1.0	611-00749	12.91	2.00	2.00	2.76	1.26	1.89	0.39
	Viton	EGPVE-77-NC-1.0-V	611-00861	(328)	(50.8)	(50.8)	(70)	(32)	(48)	(10)
	Silicone	EGPVE-77-NC-1.0-S	611-00902							
1½" (38.1)	Epdm	EGPVE-77-NC-1.5	611-00018	16.89	2.76	2.76	4.00	1.38	2.76	0.96
	Viton	EGPVE-77-NC-1.5-V	611-00768	(429)	(70)	(70)	(101.6)	(35)	(70)	(24.5)
	Silicone	EGPVE-77-NC-1.5-S	611-00903							
2" (50.8)	Epdm	EGPVE-77-NC-2.0	611-00039	18.27	3.50	3.50	4.00	1.38	3.11	0.96
	Viton	EGPVE-77-NC-2.0-V	611-00769	(464)	(89)	(89)	(101.6)	(35)	(79)	(24.4)
	Silicone	EGPVE-77-NC-2.0-S	611-00904							
2½" (63.5)	Epdm	EGPVE-77-NC-2.5	611-00053	20.75	3.50	3.50	5.08	1.69	3.94	1.33
	Viton	EGPVE-77-NC-2.5-V	611-00862	(527)	(89)	(89)	(129)	(43)	(100)	(33.9)
	Silicone	EGPVE-77-NC-2.5-S	611-00905							
3" (76.2)	Epdm	EGPVE-77-NC-3.0	611-00063	22.36	3.74	3.74	5.08	1.54	4.76	1.36
	Viton	EGPVE-77-NC-3.0-V	611-00591	(568)	(95)	(95)	(129)	(39)	(121)	(34.5)
	Silicone	EGPVE-77-NC-3.0-S	611-00906							
4" (101.6)	Epdm	EGPVE-77-NC-4.0	611-00874	27.32	5.00	4.88	6.61	1.65	5.91	1.18
	Viton	EGPVE-77-NC-4.0-V	611-00885	(694)	(127)	(124)	(168)	(42)	(150)	(30)
	Silicone	EGPVE-77-NC-4.0-S	611-00907							



\* 1" Valve with long Clamp C1=3.0

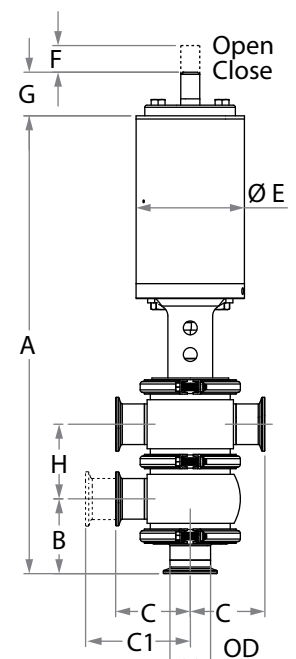
## Weld Ends (79)

Size/OD		Name	Item	A	B	C	E	G	H	F
1" (25.4)	Epdm	EPVE-79-NC-1.0	611-00690	13.00	2.00	2.00	2.76	1.18	1.97	0.39
	Viton	EPVE-79-NC-1.0-V	611-00831	(330.2)	(50.8)	(50.8)	(70)	(30)	(50)	(10)
	Silicone	EPVE-79-NC-1.0-S	611-00948							
1½" (38.1)	Epdm	EPVE-79-NC-1.5	611-00474	16.38	2.24	2.76	4.00	1.38	2.76	0.96
	Viton	EPVE-79-NC-1.5-V	611-00028	(416)	(57)	(70)	(101.6)	(35)	(70)	(24.5)
	Silicone	EPVE-79-NC-1.5-S	611-00949							
2" (50.8)	Epdm	EPVE-79-NC-2.0	611-00413	17.76	3.00	3.50	4.00	1.38	3.11	0.96
	Viton	EPVE-79-NC-2.0-V	611-00032	(451)	(76.2)	(89)	(101.6)	(35)	(79)	(24.4)
	Silicone	EPVE-79-NC-2.0-S	611-00950							
2½" (63.5)	Epdm	EPVE-79-NC-2.5	611-00513	20.28	3.00	3.50	5.08	1.69	3.94	1.33
	Viton	EPVE-79-NC-2.5-V	611-00049	(515)	(76.2)	(89)	(129)	(43)	(100)	(33.9)
	Silicone	EPVE-79-NC-2.5-S	611-00951							
3" (76.2)	Epdm	EPVE-79-NC-3.0	611-00515	21.85	3.27	3.74	5.08	1.54	4.76	1.36
	Viton	EPVE-79-NC-3.0-V	611-00835	(555)	(83)	(95)	(129)	(39)	(121)	(34.5)
	Silicone	EPVE-79-NC-3.0-S	611-00952							
4" (101.6)	Epdm	EPVE-79-NC-4.0	611-00878	27.32	5.00	4.92	6.61	1.65	5.91	1.18
	Viton	EPVE-79-NC-4.0-V	611-00889	(694)	(127)	(125)	(168)	(42)	(150)	(30)
	Silicone	EPVE-79-NC-4.0-S	611-00953							



## Clamp Ends (79)

Size/OD		Name	Item	A	B	C	E	G	H	F
1"* (25.4)	Epdm	EGPVE-79-NC-1.0	611-00759	12.91	2.00	2.00	2.76	1.26	1.89	0.39
	Viton	EGPVE-79-NC-1.0-V	611-00794	(328)	(50.8)	(50.8)	(70)	(32)	(48)	(10)
	Silicone	EGPVE-79-NC-1.0-S	611-00908							
1½" (38.1)	Epdm	EGPVE-79-NC-1.5	611-00490	16.89	2.76	2.76	4.00	1.38	2.76	0.96
	Viton	EGPVE-79-NC-1.5-V	611-00796	(429)	(70)	(70)	(101.6)	(35)	(70)	(24.5)
	Silicone	EGPVE-79-NC-1.5-S	611-00909							
2" (50.8)	Epdm	EGPVE-79-NC-2.0	611-00491	18.27	3.50	3.50	4.00	1.38	3.11	0.96
	Viton	EGPVE-79-NC-2.0-V	611-00798	(464)	(89)	(89)	(101.6)	(35)	(79)	(24.4)
	Silicone	EGPVE-79-NC-2.0-S	611-00910							
2½" (63.5)	Epdm	EGPVE-79-NC-2.5	611-00492	20.75	3.50	3.50	5.08	1.69	3.94	1.33
	Viton	EGPVE-79-NC-2.5-V	611-00800	(527)	(89)	(89)	(129)	(43)	(100)	(33.9)
	Silicone	EGPVE-79-NC-2.5-S	611-00911							
3" (76.2)	Epdm	EGPVE-79-NC-3.0	611-00493	22.36	3.74	3.74	5.08	1.54	4.76	1.36
	Viton	EGPVE-79-NC-3.0-V	611-00802	(568)	(95)	(95)	(129)	(39)	(121)	(34.5)
	Silicone	EGPVE-79-NC-3.0-S	611-00912							
4" (101.6)	Epdm	EGPVE-79-NC-4.0	611-00876	27.32	5.00	4.88	6.61	1.65	5.91	1.18
	Viton	EGPVE-79-NC-4.0-V	611-00886	(694)	(127)	(124)	(168)	(42)	(150)	(30)
	Silicone	EGPVE-79-NC-4.0-S	611-00913							

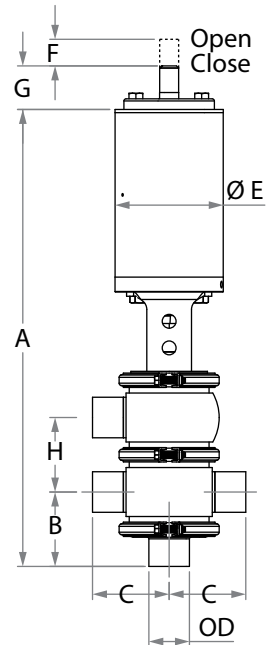


\* 1" Valve with long Clamp  
C1=3.0

## 3A PVE Divert Valve Dimensions

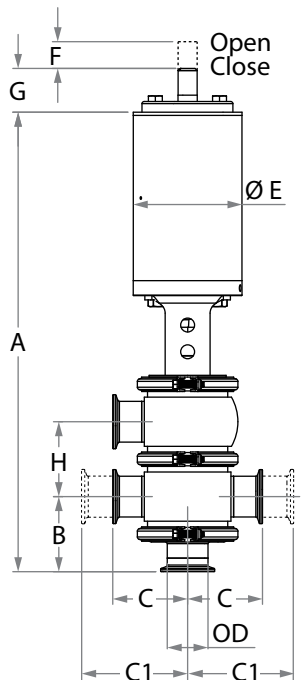
### Weld Ends (97)

Size/OD		Name	Item	A	B	C	E	G	H	F
1" (25.4)	Epdm	EPVE-97-NC-1.0	611-00760	13.00	2.00	2.00	2.76	1.18	1.97	0.39
	Viton	EPVE-97-NC-1.0-V	611-00839	(330.2)	(50.8)	(50.8)	(70)	(30)	(50)	(10)
	Silicone	EPVE-97-NC-1.0-S	611-00960							
1½" (38.1)	Epdm	EPVE-97-NC-1.5	611-00554	16.38	2.24	2.76	4.00	1.38	2.76	0.96
	Viton	EPVE-97-NC-1.5-V	611-00841	(416)	(57)	(70)	(101.6)	(35)	(70)	(24.5)
	Silicone	EPVE-97-NC-1.5-S	611-00961							
2" (50.8)	Epdm	EPVE-97-NC-2.0	611-00555	17.76	3.00	3.50	4.00	1.38	3.11	0.96
	Viton	EPVE-97-NC-2.0-V	611-00423	(451)	(76.2)	(89)	(101.6)	(35)	(79)	(24.4)
	Silicone	EPVE-97-NC-2.0-S	611-00962							
2½" (63.5)	Epdm	EPVE-97-NC-2.5	611-00568	20.28	3.00	3.50	5.08	1.69	3.94	1.33
	Viton	EPVE-97-NC-2.5-V	611-00842	(515)	(76.2)	(89)	(129)	(43)	(100)	(33.9)
	Silicone	EPVE-97-NC-2.5-S	611-00963							
3" (76.2)	Epdm	EPVE-97-NC-3.0	611-00570	21.85	3.27	3.74	5.08	1.54	4.76	1.36
	Viton	EPVE-97-NC-3.0-V	611-00843	(555)	(83)	(95)	(129)	(39)	(121)	(34.5)
	Silicone	EPVE-97-NC-3.0-S	611-00964							
4" (101.6)	Epdm	EPVE-97-NC-4.0	611-00882	27.32	5.00	4.92	6.61	1.65	5.91	1.18
	Viton	EPVE-97-NC-4.0-V	611-00892	(694)	(127)	(125)	(168)	(42)	(150)	(30)
	Silicone	EPVE-97-NC-4.0-S	611-00965							



### Clamp Ends (97)

Size/OD		Name	Item	A	B	C	E	G	H	F
1"* (25.4)	Epdm	EGPVE-97-NC-1.0	611-00805	12.91	2.00	2.00	2.76	1.26	1.89	0.39
	Viton	EGPVE-97-NC-1.0-V	611-00806	(328)	(50.8)	(50.8)	(70)	(32)	(48)	(10)
	Silicone	EGPVE-97-NC-1.0-S	611-00920							
1½" (38.1)	Epdm	EGPVE-97-NC-1.5	611-00807	16.89	2.76	2.76	4.00	1.38	2.76	0.96
	Viton	EGPVE-97-NC-1.5-V	611-00808	(429)	(70)	(70)	(101.6)	(35)	(70)	(24.5)
	Silicone	EGPVE-97-NC-1.5-S	611-00921							
2" (50.8)	Epdm	EGPVE-97-NC-2.0	611-00774	18.27	3.50	3.50	4.00	1.38	3.11	0.96
	Viton	EGPVE-97-NC-2.0-V	611-00809	(464)	(89)	(89)	(101.6)	(35)	(79)	(24.4)
	Silicone	EGPVE-97-NC-2.0-S	611-00922							
2½" (63.5)	Epdm	EGPVE-97-NC-2.5	611-01000	20.75	3.50	3.50	5.08	1.69	3.94	1.33
	Viton	EGPVE-97-NC-2.5-V	611-00810	(527)	(89)	(89)	(129)	(43)	(100)	(33.9)
	Silicone	EGPVE-97-NC-2.5-S	611-00923							
3" (76.2)	Epdm	EGPVE-97-NC-3.0	611-00811	22.36	3.74	3.74	5.08	1.54	4.76	1.36
	Viton	EGPVE-97-NC-3.0-V	611-00812	(568)	(95)	(95)	(129)	(39)	(121)	(34.5)
	Silicone	EGPVE-97-NC-3.0-S	611-00924							
4" (101.6)	Epdm	EGPVE-97-NC-4.0	611-00880	27.32	5.00	4.88	6.61	1.65	5.91	1.18
	Viton	EGPVE-97-NC-4.0-V	611-00890	(694)	(127)	(124)	(168)	(42)	(150)	(30)
	Silicone	EGPVE-97-NC-4.0-S	611-00925							

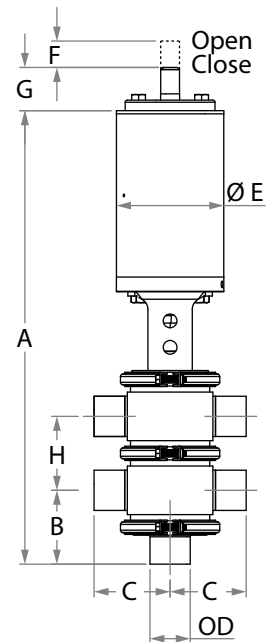


\* 1" Valve with long Clamp  
C1=3.0



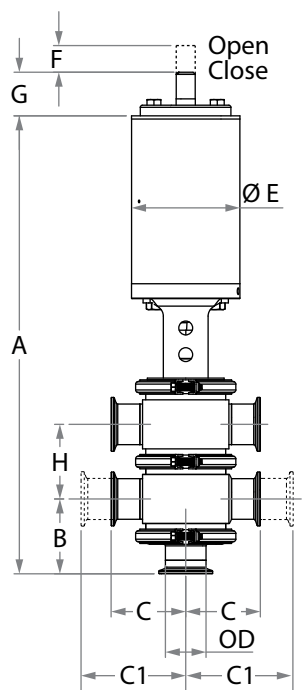
## Weld Ends (99)

Size/OD		Name	Item	A	B	C	E	G	H	F
1" (25.4)	Epdm	EPVE-99-NC-1.0	611-00692	13.00	2.00	2.00	2.76	1.18	1.97	0.39
	Viton	EPVE-99-NC-1.0-V	611-00844	(330.2)	(50.8)	(50.8)	(70)	(30)	(50)	(10)
	Silicone	EPVE-99-NC-1.0-S	611-00966							
1½" (38.1)	Epdm	EPVE-99-NC-1.5	611-00524	16.38	2.76	2.76	4.00	1.38	2.76	0.96
	Viton	EPVE-99-NC-1.5-V	611-00845	(416)	(70)	(70)	(101.6)	(35)	(70)	(24.5)
	Silicone	EPVE-99-NC-1.5-S	611-00967							
2" (50.8)	Epdm	EPVE-99-NC-2.0	611-00525	17.76	3.00	3.50	4.00	1.38	3.11	0.96
	Viton	EPVE-99-NC-2.0-V	611-00846	(451)	(76.2)	(89)	(101.6)	(35)	(79)	(24.4)
	Silicone	EPVE-99-NC-2.0-S	611-00968							
2½" (63.5)	Epdm	EPVE-99-NC-2.5	611-00567	20.28	3.00	3.50	5.08	1.69	3.94	1.33
	Viton	EPVE-99-NC-2.5-V	611-00847	(515)	(76.2)	(89)	(129)	(43)	(100)	(33.9)
	Silicone	EPVE-99-NC-2.5-S	611-00969							
3" (76.2)	Epdm	EPVE-99-NC-3.0	611-00569	21.85	3.23	3.74	5.08	1.54	4.76	1.36
	Viton	EPVE-99-NC-3.0-V	611-00867	(555)	(82)	(95)	(129)	(39)	(121)	(34.5)
	Silicone	EPVE-99-NC-3.0-S	611-00970							
4" (101.6)	Epdm	EPVE-99-NC-4.0	611-00883	27.32	5.00	4.92	6.61	1.65	5.91	1.18
	Viton	EPVE-99-NC-4.0-V	611-00893	(694)	(127)	(125)	(168)	(42)	(150)	(30)
	Silicone	EPVE-99-NC-4.0-S	611-00971							



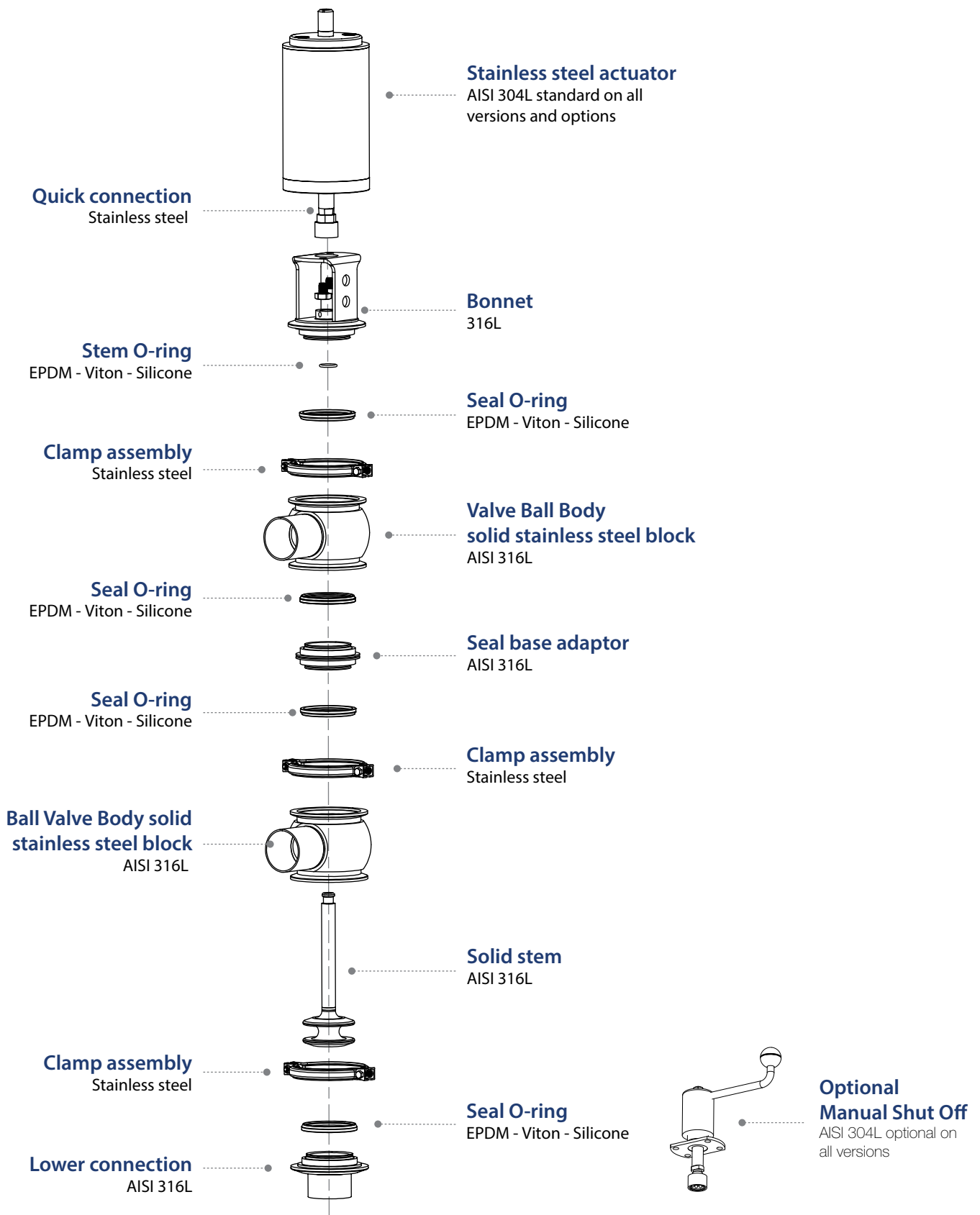
## Clamp Ends (99)

Size/OD		Name	Item	A	B	C	E	G	H	F
1"* (25.4)	Epdm	EGPVE-99-NC-1.0	611-00528	12.91	2.00	2.00	2.76	1.26	1.89	0.39
	Viton	EGPVE-99-NC-1.0-V	611-00814	(328)	(50.8)	(50.8)	(70)	(32)	(48)	(10)
	Silicone	EGPVE-99-NC-1.0-S	611-00926							
1½" (38.1)	Epdm	EGPVE-99-NC-1.5	611-00529	16.89	2.76	2.76	4.00	1.38	2.76	0.96
	Viton	EGPVE-99-NC-1.5-V	611-00815	(429)	(70)	(70)	(101.6)	(35)	(70)	(24.5)
	Silicone	EGPVE-99-NC-1.5-S	611-00927							
2" (50.8)	Epdm	EGPVE-99-NC-2.0	611-00530	18.27	3.50	3.50	4.00	1.38	3.11	0.96
	Viton	EGPVE-99-NC-2.0-V	611-00816	(464)	(89)	(89)	(101.6)	(35)	(79)	(24.4)
	Silicone	EGPVE-99-NC-2.0-S	611-00928							
2½" (63.5)	Epdm	EGPVE-99-NC-2.5	611-00531	20.75	3.50	3.50	5.08	1.69	3.94	1.33
	Viton	EGPVE-99-NC-2.5-V	611-00817	(527)	(89)	(89)	(129)	(43)	(100)	(33.9)
	Silicone	EGPVE-99-NC-2.5-S	611-00929							
3" (76.2)	Epdm	EGPVE-99-NC-3.0	611-00818	22.36	3.74	3.74	5.08	1.54	4.76	1.36
	Viton	EGPVE-99-NC-3.0-V	611-00840	(568)	(95)	(95)	(129)	(39)	(121)	(34.5)
	Silicone	EGPVE-99-NC-3.0-S	611-00930							
4" (101.6)	Epdm	EGPVE-99-NC-4.0	611-00881	27.32	5.00	4.88	6.61	1.65	5.91	1.18
	Viton	EGPVE-99-NC-4.0-V	611-00891	(694)	(127)	(124)	(168)	(42)	(150)	(30)
	Silicone	EGPVE-99-NC-4.0-S	611-00931							



\* 1" Valve with long Clamp  
C1=3.0

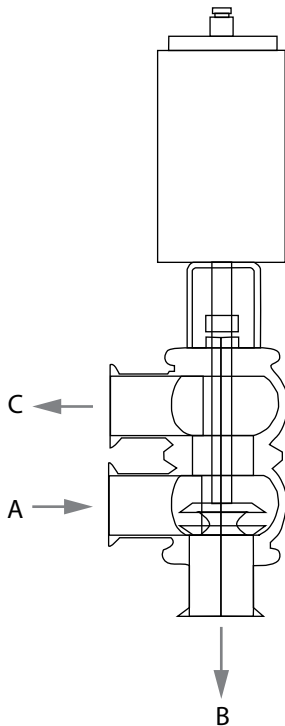
## 3A PVE Divert Valve Components & Materials



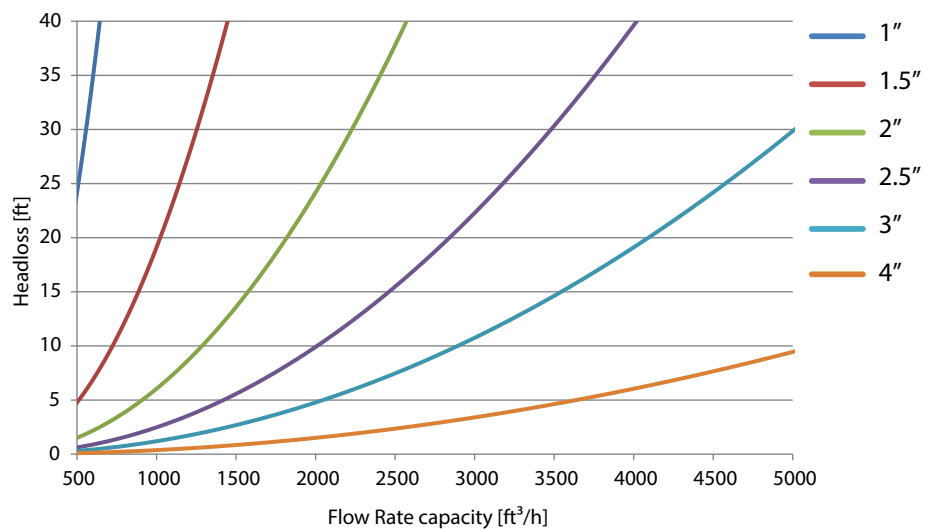
## 3A PVE Divert Valve Pressure Drop Vs Flow Rate Capacity Diagram

$$HI = \frac{K \cdot F^2}{2g \cdot D^4}$$

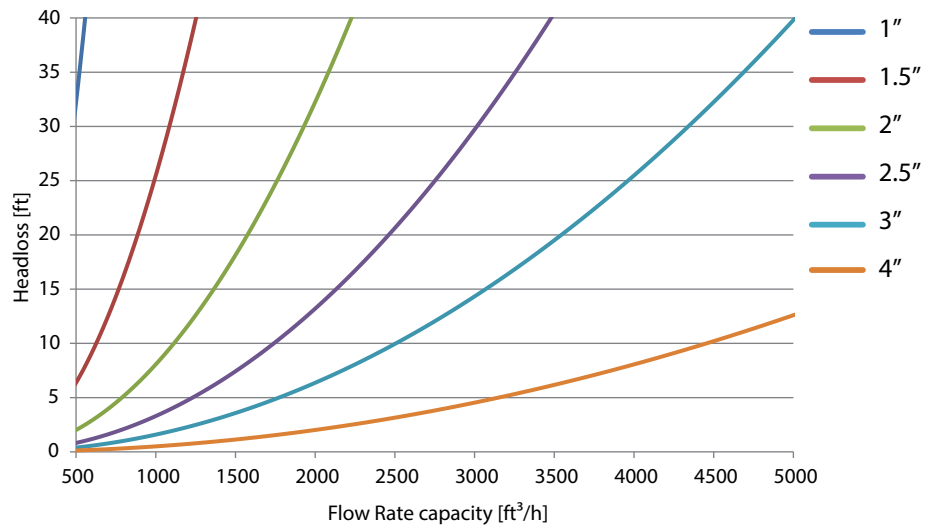
HI - Head Loss [ft]  
 K - Loss coefficient [ ]  
 F - Flow Rate capacity [ft<sup>3</sup>/h]  
 g - Gravitational acceleration [ft/s<sup>2</sup>]  
 D - Valve diameter [inch]



Pressure drop - Divert Valve\* (A-B) K=2E5



Pressure drop - Divert Valve\* (A-C) K=4E5



\* For additional valve configuration (79, 97, 99) please refer to EGMO website

# 3A PVE - Pressure Relief Valve (Overflow Valve)

The primary purpose of a pressure- or vacuum-relief valve is to protect life and property by venting process fluid from an over-pressurized vessel, or adding fluid or gas (such as air) to prevent the formation of a vacuum strong enough to collapse a storage tank.

- ✓ Operates as a pressure-release valve with the option to completely open the valve using a pneumatic actuator
- ✓ Overflow valves are used mainly for automatic CIP operation or bypass

## Pressure Relief Valve Properties:

- ✓ Operating pressure 2- 7 bar
- ✓ Pressure to open pneumatically - Min 5 - Max 8 bar
- ✓ Construction materials:
  - Actuator: AISI 304L
  - Valve Body: AISI 316L & EPDM / Silicone / Viton gaskets



## How To Order Pressure Relief Valve

**E** **G** **P** **V** **E** - **RELIEF** - **1** . **0** - **V**

Valve Type                      Valve Configuration                      Size                      Seals

Type Connection	Valve Configuration	Size	Seals	Control
<b>EGPVE</b> - CLAMP <b>EPVE</b> - WELD	Relief	<b>1.0*</b> <b>1.5</b> <b>2.0</b> <b>2.5*</b> <b>3.0*</b>	<b>DEFAULT</b> - EPDM <b>V</b> - Viton <b>S</b> - Silicone	<b>1IPS</b> - One Inductive Proximity Switch <b>2IPS</b> - Two Inductive Proximity Switch (Proximity Switch Diameter 12mm)

\* Available upon request

# 3A PVE Tank Bottom Valve

The Tank Bottom valve is a pneumatically actuated single seat valve used to shut off fluid media at vessels or tanks. Tank Bottom valves are assembled at the bottom of tanks in the dairy, food & beverage, pharmaceutical and chemical industries. Constructed from AISI 316L Stainless steel and electro-polished, the Tank Bottom valve optimizes CIP/SIP procedures by ensuring complete drainage of the tank.

## Key Advantages:

- ✓ Easy and quick assembly / disassembly due to one piece valve structure
- ✓ Zero dead leg design with minimum maintenance requirements
- ✓ Designed to fully drain the tank

## Tank Bottom Valve Properties:

- ✓ Operating pressure 2-7 bar
- ✓ Pressure to open pneumatically - Min 5 - Max 8 bar
- ✓ Construction materials:
  - Actuator: AISI 304L
  - Valve Body: AISI 316L & EPDM / Silicone / Viton gaskets



## How To Order Tank Bottom Valve

<b>E</b>	<b>G</b>	<b>P</b>	<b>V</b>	<b>E</b>	<b>-</b>	<b>TANK</b>	<b>-</b>	<b>N</b>	<b>C</b>	<b>-</b>	<b>1</b>	<b>.</b>	<b>0</b>	<b>-</b>	<b>V</b>	<b>-</b>	<b>A</b>	<b>S</b>	<b>I</b>
Valve Type			Valve Configuration			Actuation Type		Size		Seals		Control Head							

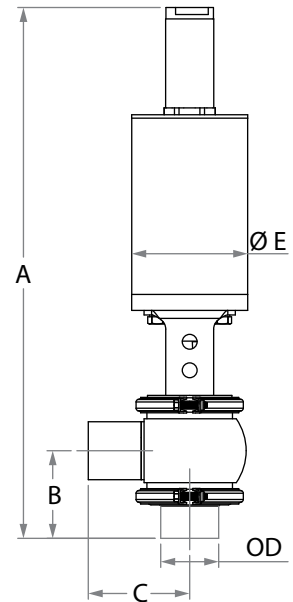
Type Connection	Valve Configuration	Actuation Type	Size	Seals	Control Head	
EGPVE - CLAMP	Tank	NC	1.0	DEFAULT - EPDM	ASI	
EPVE - WELD		NO	1.5	V - Viton	24V	
				2.0	S - Silicone	110V
				2.5		1IPS - One Inductive Proximity Switch
				3.0		2IPS - Two Inductive Proximity Switch (Proximity Switch Diameter 12mm)

## 3A PVE Pressure Relief Valve Dimensions

### Weld Ends (7)

Size/OD		Name	Item	A	B	C	E
1½" (38.1)	Epdm	EPVE-RELIEF-1.5	611-00980	17.40 (442)	2.24 (57)	2.76 (70)	4.00 (101.6)
	Viton	EPVE-RELIEF-1.5-V	611-00988				
	Silicone	EPVE-RELIEF-1.5-S	611-00996				
2" (50.8)	Epdm	EPVE-RELIEF-2.0	611-00981	18.31 (465)	3.00 (76.2)	3.50 (89)	4.00 (101.6)
	Viton	EPVE-RELIEF-2.0-V	611-00989				
	Silicone	EPVE-RELIEF-2.0-S	611-00997				
2½"* (63.5)	Epdm	EPVE-RELIEF-2.5	611-00982	N/A	N/A	N/A	N/A
	Viton	EPVE-RELIEF-2.5-V	611-00990				
	Silicone	EPVE-RELIEF-2.5-S	611-00998				
3"* (76.2)	Epdm	EPVE-RELIEF-3.0	611-00983	N/A	N/A	N/A	N/A
	Viton	EPVE-RELIEF-3.0-V	611-00991				
	Silicone	EPVE-RELIEF-3.0-S	611-00999				

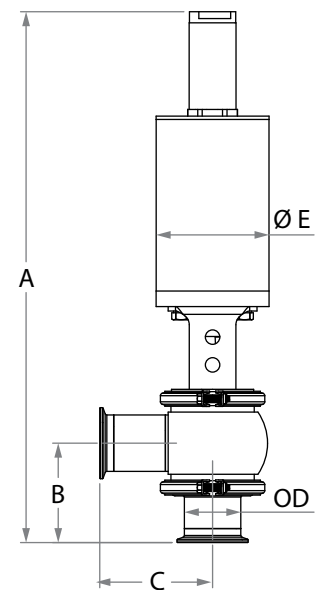
\* Available upon request



### Clamp Ends (7)

Size/OD		Name	Item	A	B	C	E
1½" (38.1)	Epdm	EGPVE-RELIEF-1.5	611-00976	17.87 (454)	2.76 (70)	2.76 (70)	4.00 (101.6)
	Viton	EGPVE-RELIEF-1.5-V	611-00984				
	Silicone	EGPVE-RELIEF-1.5-S	611-00992				
2" (50.8)	Epdm	EGPVE-RELIEF-2.0	611-00977	18.82 (478)	3.50 (89)	3.50 (89)	4.00 (101.6)
	Viton	EGPVE-RELIEF-2.0-V	611-00985				
	Silicone	EGPVE-RELIEF-2.0-S	611-00993				
2½"* (63.5)	Epdm	EGPVE-RELIEF-2.5	611-00978	N/A	N/A	N/A	N/A
	Viton	EGPVE-RELIEF-2.5-V	611-00986				
	Silicone	EGPVE-RELIEF-2.5-S	611-00994				
3"* (76.2)	Epdm	EGPVE-RELIEF-3.0	611-00979	N/A	N/A	N/A	N/A
	Viton	EGPVE-RELIEF-3.0-V	611-00987				
	Silicone	EGPVE-RELIEF-3.0-S	611-00995				

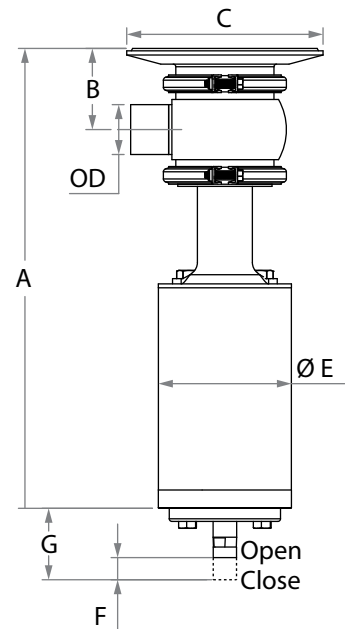
\* Available upon request



## 3A PVE Tank Bottom Valve Dimensions

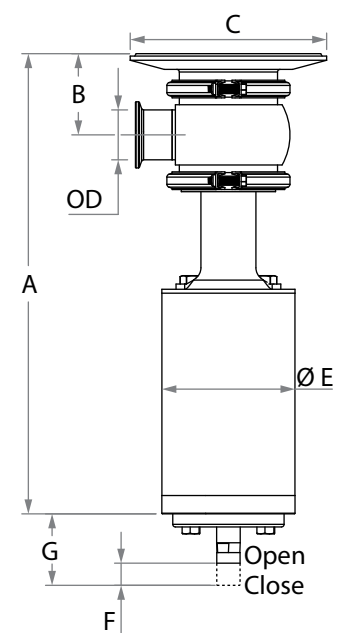
### Weld Ends (7)

Size/OD		Name	Item	A	B	C	E	G	F
1" (25.4)	Epdm	EPVE-TANK-1.0	611-01002						
	Viton	EPVE-TANK-1.0-V	611-01004	N/A	N/A	N/A	N/A	N/A	N/A
	Silicone	EPVE-TANK-1.0-S	611-01006						
1½" (38.1)	Epdm	EPVE-TANK-1.5	611-00015						
	Viton	EPVE-TANK-1.5-V	611-00853	13.82 (351)	2.36 (60)	5.91 (150)	4.00 (101.6)	2.32 (59)	1.00 (25.4)
	Silicone	EPVE-TANK-1.5-S	611-00972						
2" (50.8)	Epdm	EPVE-TANK-2.0	611-00318						
	Viton	EPVE-TANK-2.0-V	611-00855	14.21 (361)	2.56 (65)	5.91 (150)	4.00 (101.6)	2.36 (60)	1.06 (26.8)
	Silicone	EPVE-TANK-2.0-S	611-00973						
2½" (63.5)	Epdm	EPVE-TANK-2.5	611-00559						
	Viton	EPVE-TANK-2.5-V	611-00857	15.35 (390)	3.23 (82)	7.09 (180)	4.00 (101.6)	2.17 (55)	1.00 (25.4)
	Silicone	EPVE-TANK-2.5-S	611-00974						
3" (76.2)	Epdm	EPVE-TANK-3.0	611-00605						
	Viton	EPVE-TANK-3.0-V	611-00859	17.76 (451)	3.82 (97)	7.87 (200)	5.08 (129)	2.05 (52)	1.53 (38.9)
	Silicone	EPVE-TANK-3.0-S	611-00975						

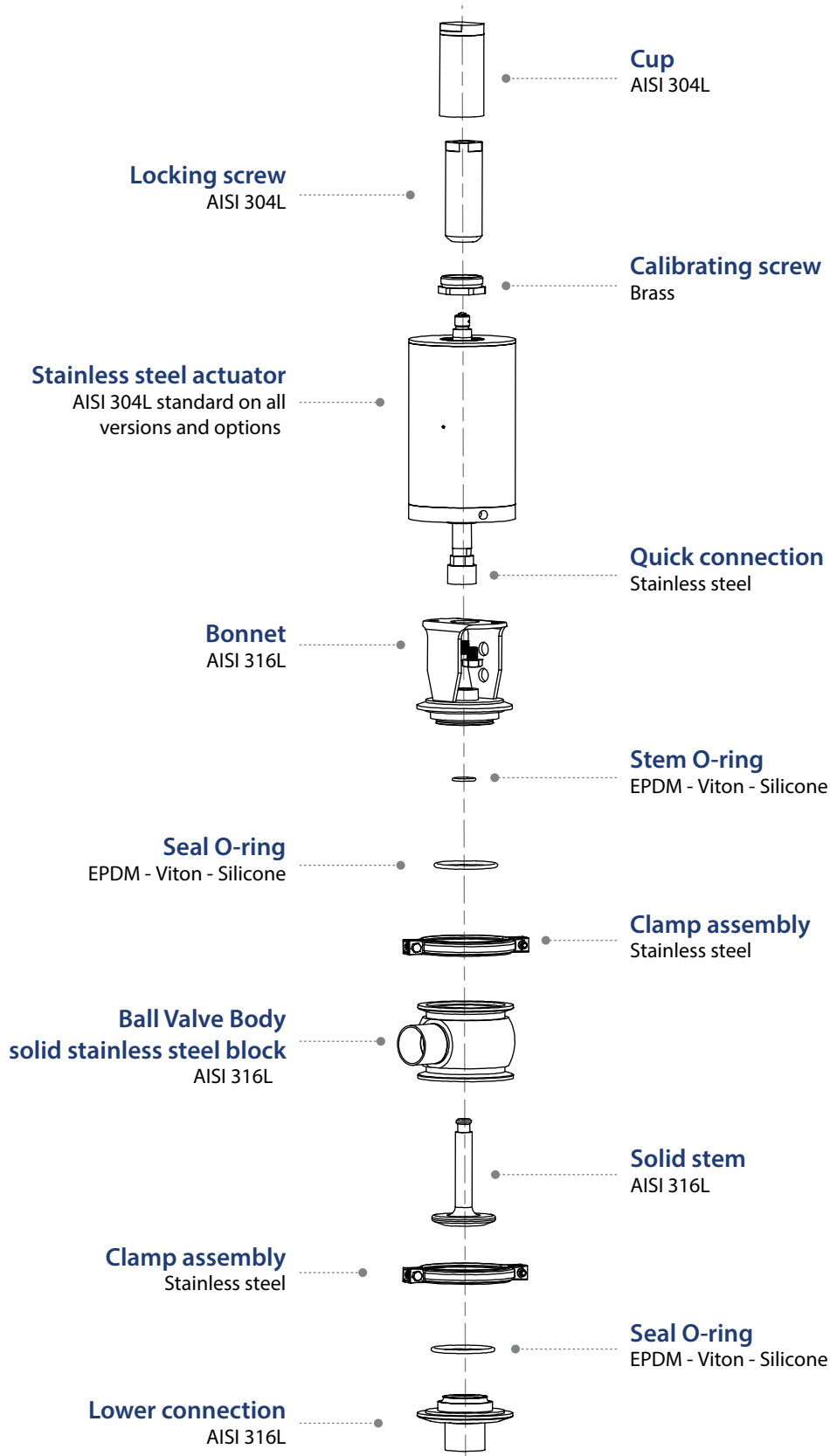


### Clamp Ends (7)

Size/OD		Name	Item	A	B	C	E	G	F
1" (25.4)	Epdm	EGPVE-TANK-1.0	611-01001						
	Viton	EGPVE-TANK-1.0-V	611-01003	N/A	N/A	N/A	N/A	N/A	N/A
	Silicone	EGPVE-TANK-1.0-S	611-01005						
1½" (38.1)	Epdm	EGPVE-TANK-1.5	611-00822						
	Viton	EGPVE-TANK-1.5-V	611-00823	13.82 (351)	2.36 (60)	5.91 (150)	4.00 (101.6)	2.32 (59)	1.00 (25.4)
	Silicone	EGPVE-TANK-1.5-S	611-00932						
2" (50.8)	Epdm	EGPVE-TANK-2.0	611-00824						
	Viton	EGPVE-TANK-2.0-V	611-00825	14.21 (361)	2.56 (65)	5.91 (150)	4.00 (101.6)	2.36 (60)	1.06 (26.8)
	Silicone	EGPVE-TANK-2.0-S	611-00933						
2½" (63.5)	Epdm	EGPVE-TANK-2.5	611-00826						
	Viton	EGPVE-TANK-2.5-V	611-00896	15.35 (390)	3.23 (82)	7.09 (180)	4.00 (101.6)	2.17 (55)	1.00 (25.4)
	Silicone	EGPVE-TANK-2.5-S	611-00934						
3" (76.2)	Epdm	EGPVE-TANK-3.0	611-00827						
	Viton	EGPVE-TANK-3.0-V	611-00828	17.76 (451)	3.82 (97)	7.87 (200)	5.08 (129)	2.05 (52)	1.53 (38.9)
	Silicone	EGPVE-TANK-3.0-S	611-00935						

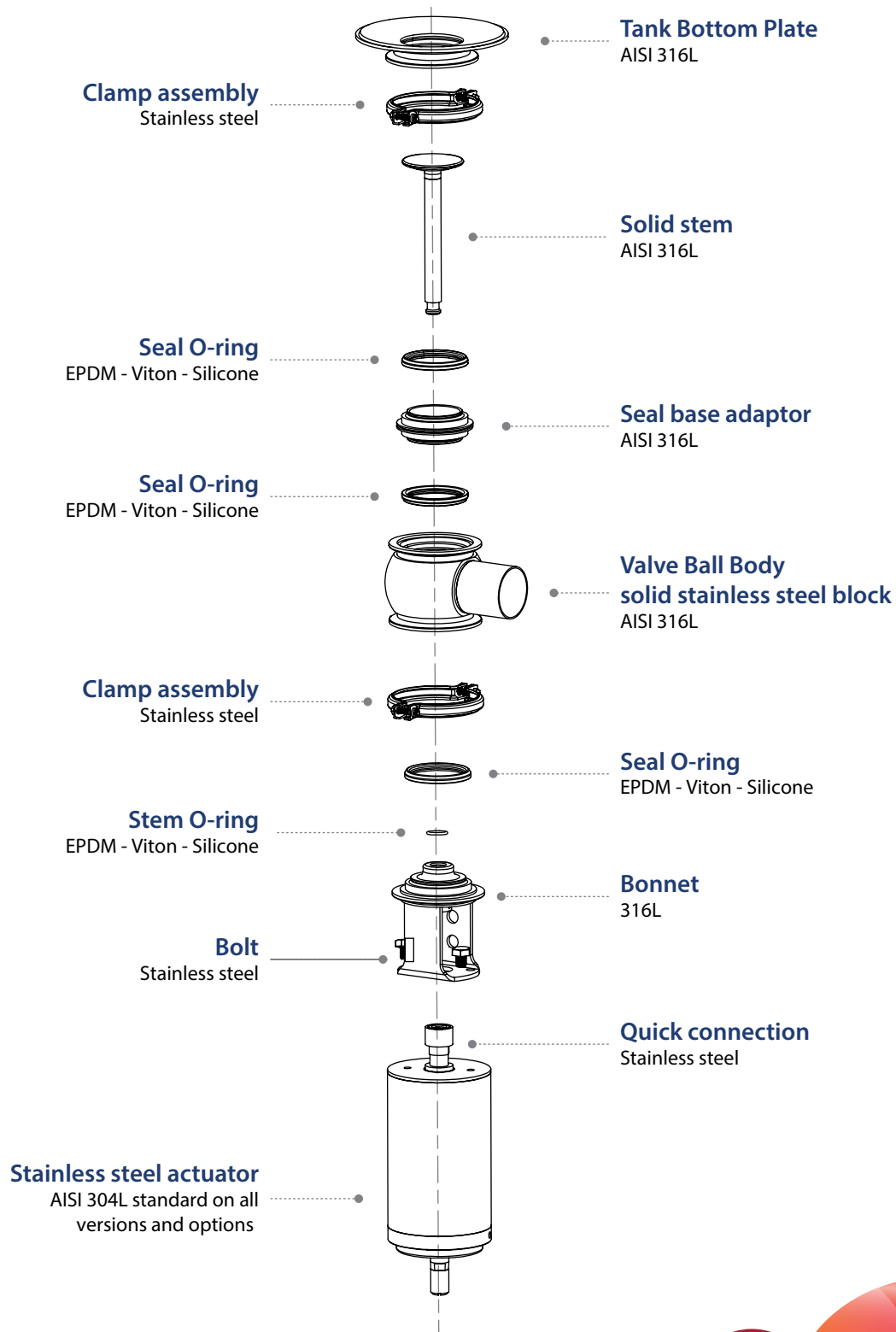


### 3A PVE Pressure Relief Valve Components & Materials





## 3A PVE Tank Bottom Valve Components & Materials



# 3A PVE Control Head

The 3A PVE Control Head is used to activate and indicate the valve position, giving both electrical and visual signals

- ✓ Linear control head is compatible with most PLC automated systems
- ✓ Digital communication or ASI BUS (AS-interface)
- ✓ Reliable & Cost-Effective
- ✓ Easy maintenance
- ✓ Compact

## Technical specifications

Body Material:	POM
Cover:	Polycarbonate
Sealing:	NBR
Protection class:	IP67
Supply Voltage:	24 [VDC], 110 [VAC], ASIBUS (30 [VDC])
Max. Working temperature	-10°C (14°F) to 50°C (122°F)
Solenoid Valve type:	3/2way (Air/Spring)
Electrical multiple connections:	M12X1 (4&5-pole) connector
Feedback:	Pos. Open (digital) Pos. Closed (digital)
Power consumption:	2.0 [W]
Weight:	400 [gr], lbs 0.88
Dimensions:	diameter 70 [mm] 2.75", height: 120 [mm] 4.72"

## Control Head - Versions

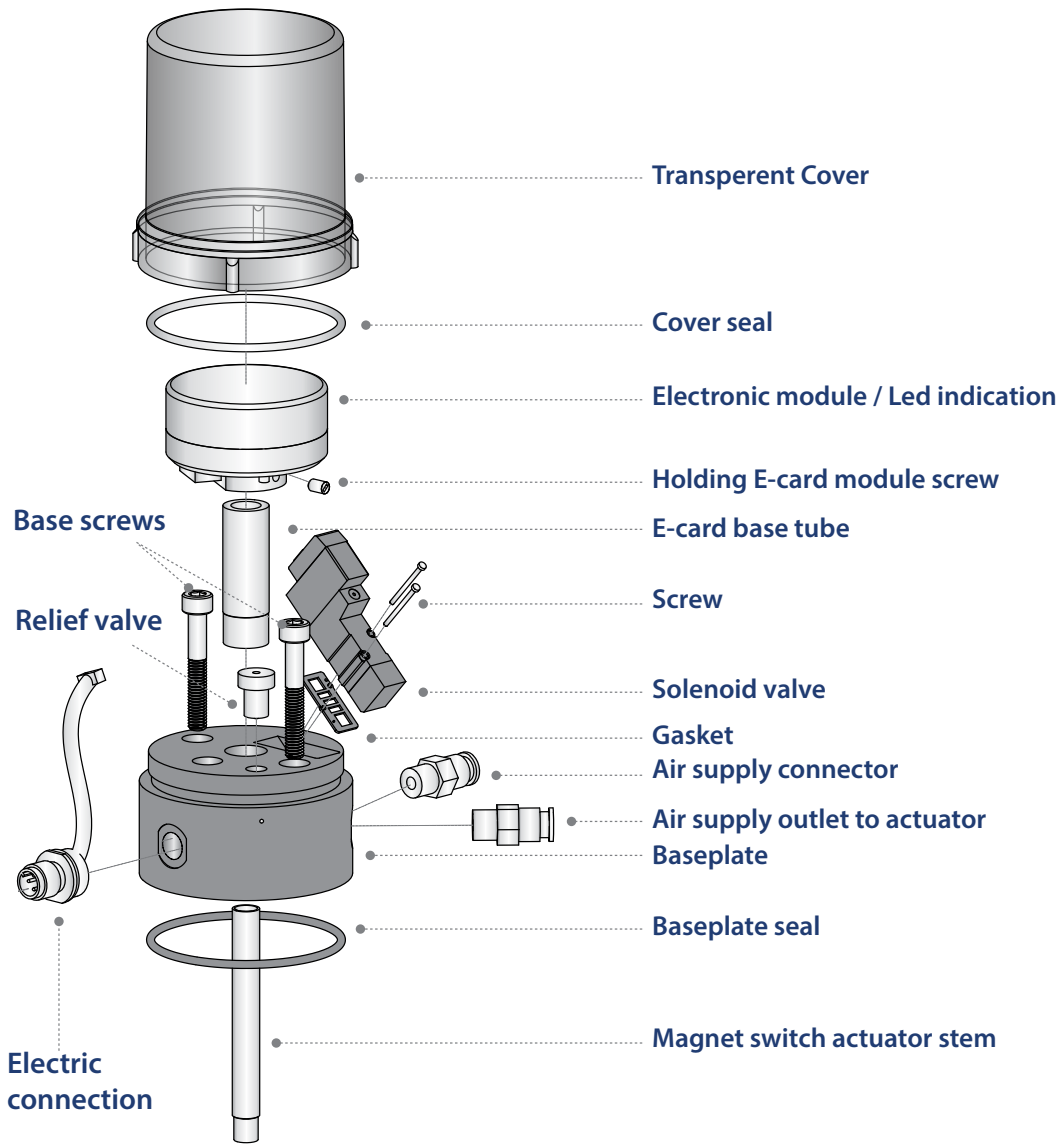
Name	Part Number	Pneumatic Operation	Power Supply			Notes
		Spring/Air 3/2	24VDC	110VDC	ASIBUS	
PVEP-CH-SR-24VDC	618-00932	✓	✓			
PVEP-CH-SR-ASIBUS	618-00931	✓			✓	29.5 ~ 31.5 VDC
PVEP-CH-SR-110VDC	618-00930	✓		✓		

## How To Order

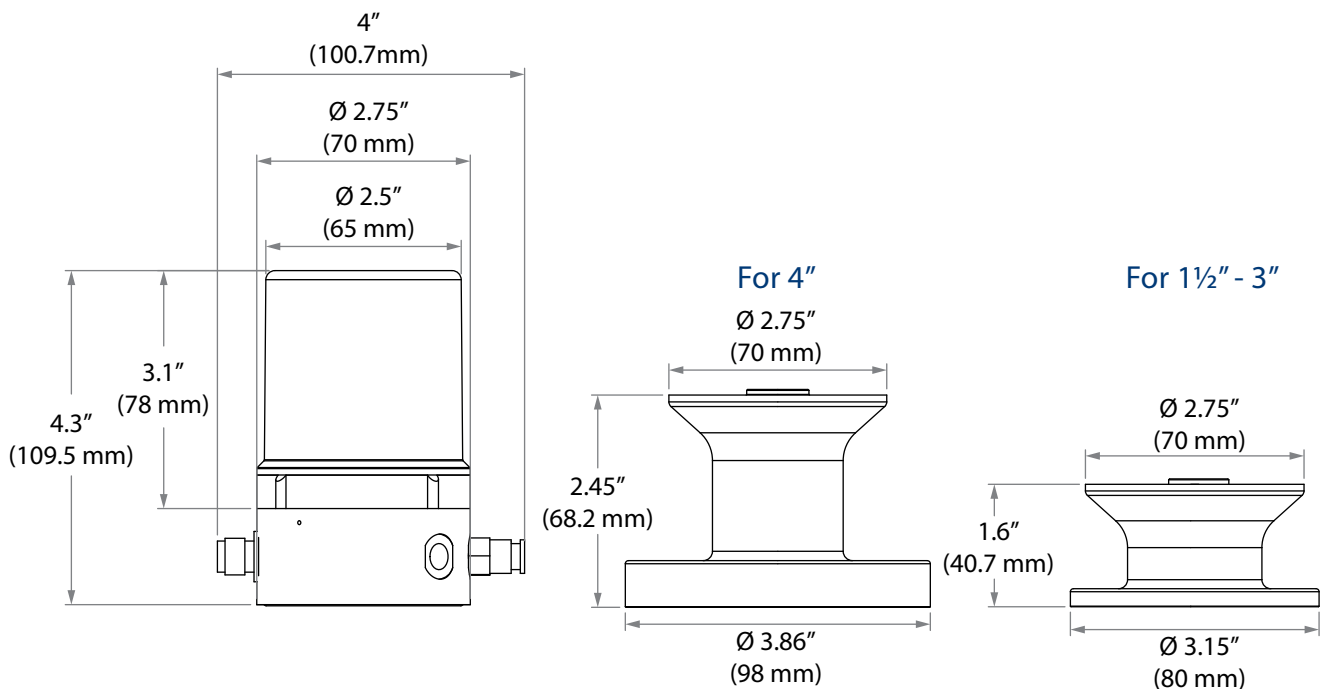
To specify the part completely, start with the product description and select the additional options as shown below:

<b>PVEP</b>	-	<b>CH</b>	-	<b>SR</b>	-	<b>24V</b>
		Product Line			Power Supply	
		Control head PVE - Linear			24V - 24VDC 110V - 110AC ASI BUS	
				Action		
				SR - Spring Return		





## PVE Control Head Dimensions



**Note:** For additional information on mounting kits refer to the user manual

# Control Head Types

## 24VDC

- ✓ Direct I/O 24VDC Valve controller
  - ✓ With integrated LED dome  
(Green-closed / Amber-open )
  - ✓ With Auto calibration for position indication
  - ✓ Mounting on Valve through mounting kit
- Direct I/O controller for linear Valves spring return

### Equipped with:

- Baseplate (POM)
- 3/2 way Solenoid
- Transparent screw cover
- With auto calibration for position indication
- With LED DOME
- 5-pole M12x1 connector
- Air connection for 6 mm air hose

## 110VDC

- ✓ Direct I/O 110VAC Valve controller
  - ✓ With integrated LED dome  
(Green-closed / Amber-open )
  - ✓ With Auto calibration for position indication
  - ✓ Mounting on Valve through mounting kit
- Direct I/O controller for linear Valves spring return

### Equipped with:

- Baseplate (POM)
- 3/2 way Solenoid
- Transparent screw cover
- With auto calibration for position indication
- With LED DOME
- 5-pole M12x1 connector
- Air connection for 6 mm air hose

## ASI

- ✓ AS-Interface Valve controller
  - ✓ With integrated LED dome  
(Green-closed / Amber-open )
  - ✓ With Auto calibration for position indication
  - ✓ Mounting on Valve through mounting kit
  - ✓ Slave Profile : S-3/A.0.E
- AS-Interface controller for linear Valves spring return

### Equipped with:

- Baseplate (POM)
- 3/2 way Solenoid
- Transparent screw cover
- with auto calibration for position indication
- 1 AS-Interface electronic module with LED DOME
- 4-pole M12x1 connector
- Air connection for 6 mm air hose



## Technical Data

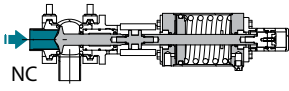
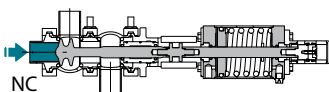
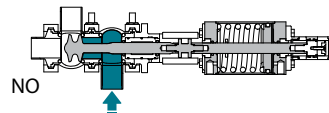
## ASI - ASVC 24 VDC / 110 VAC

Material Body Cover sealing	Pom (black) Polycarbonate, (transparent brown) NBR
Supply Voltage	ASI - 31,6 VDC 24 VDC 110 VAC
Electrical connection Multipole connection	ASI - M12x1 (4-pole) connector 24 VDC / 110 VAC - M12x1 (5-pole) connector
ASI Only - AS-Interface specification	3.0
ASI Only - AS-Interface profile:	S-3/A.0.E 3
ASI Only - I/O code: ID code: Id1 code: Id2 code:	A 0 E
Feedback	Yes
Pos. open (digital) Pos. Closed (digital)	Yes
Power consumption max.	2 Watt
Stroke range Valve spindel	0.2" - 2.75"
Solenoid valve type	3/2-way NC
Power consumption [Vdc/W] Response time	98
[<ms] Orifice [l/min]	
Seal-material	NBR
Supply pressure	7 Bar max
Control medium Dust concentration Particle density	Neutral gases, air DIN ISO 8573-1 Class 3 (<5µm particle size) Class 3 (<5mg/m <sup>3</sup> )
Pressure condensation point Oil concentration	Class 3 (<-20°C) Class 1 (< 0,01 mg/m <sup>3</sup> )
Pilot air ports	1/8"G / plug-on fitting 6.0
Ambient temperature	-10.....+50°C (no freezing.)
Electrical Protection class	III
Housing protection class	IP 67
Installation	As required, preferably with actuator in upright position
Dimensions BxH	2.75" - 3.94"
ASI Only - OPTIONS AS-Interface profile	Client spec.

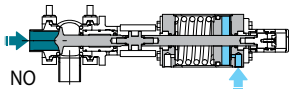
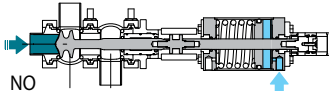
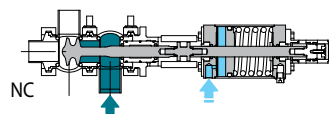
# Maximum Working Pressure Data

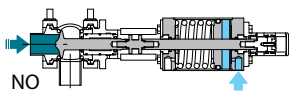
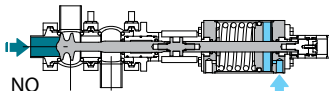
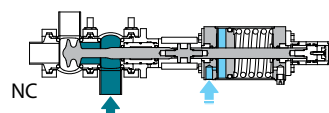
## Spring Actuator

■ Media ■ Air

Actuator & Valve body combinations	Actuator Mode	Air pressure	Valve Size					
			1"	1½"	2"	2 ½"	3"	4"
			PVE0	PVE1	PVE1	PVE2	PVE2	PVE3
 NC	Spring	0 Bar	7.0	11.5	6.0	6.5	4.5	5.0
	Spring	0 PSI	102	167	87	94	65	73
 NC	Spring	0 Bar	8.0	11.5	6.0	6.5	4.5	5.0
	Spring	0 PSI	116	167	87	94	65	73
 NO	Spring	0 Bar	9.5	11.5	6.0	6.5	4.5	5.0
	Spring	0 PSI	138	167	87	94	65	73

## Air Actuator

Actuator & Valve body combinations	Actuator Mode	Air pressure	Valve Size					
			1"	1½"	2"	2 ½"	3"	4"
			PVE0	PVE1	PVE1	PVE2	PVE2	PVE3
 NO	Air	5 Bar	6.5	7.5	4.5	5.2	4.5	5.0
	Air	72.5 PSI	94	109	65	75	65	73
 NO	Air	5 Bar	7.0	7.5	4.5	5.2	4.5	5.0
	Air	72.5 PSI	102	109	65	75	65	73
 NC	Air	5 Bar	9.5	7.5	4.5	5.2	4.5	5.0
	Air	72.5 PSI	138	109	65	75	65	73

Actuator & Valve body combinations	Actuator Mode	Air pressure	Valve Size					
			1"	1½"	2"	2 ½"	3"	4"
			PVE0	PVE1	PVE1	PVE2	PVE2	PVE3
 NO	Air	6 Bar	9.5	12	7	8.5	6.5	7.0
	Air	87 PSI	138	174	102	123	94	102
 NO	Air	6 Bar	10.0	12.0	7.0	8.5	6.5	7.0
	Air	87 PSI	145	174	102	123	94	102
 NC	Air	6 Bar	12.0	12.0	7.0	8.5	6.5	7.0
	Air	87 PSI	174	174	102	123	94	102

## Relief Air Actuator

■ Media ■ Air

Actuator & Valve body combinations	Actuator Mode	Air pressure	Valve Size					
			1"	1½"	2"	2 ½"	3"	4"
			PVE0	PVE1	PVE1	PVE2	PVE2	PVE3
	Spring	0 Bar	12.5	17.0	9.0	10.0	8.5	6.5
	Spring	0 PSI	181	247	131	145	123	94
	Spring	0 Bar	12.0	17.0	9.0	10.0	8.5	6.5
	Spring	0 PSI	174	247	131	145	123	94
	Spring	0 Bar	9.0	17.0	9.0	10.0	8.5	6.5
	Spring	0 PSI	131	247	131	145	123	94

## Compress Air Actuator

Actuator & Valve body combinations	Actuator Mode	Air pressure	Valve Size					
			1"	1½"	2"	2 ½"	3"	4"
			PVE0	PVE1	PVE1	PVE2	PVE2	PVE3
	Air	5 Bar	12.5	12.5	7.0	7.0	5.0	6.0
	Air	72.5 PSI	181	181	102	102	73	87
	Air	5 Bar	10.5	12.5	7.0	7.0	5.0	6.5
	Air	72.5 PSI	152	181	102	102	73	87
	Air	5 Bar	8.5	12.5	7.0	7.0	5.0	6.5
	Air	72.5 PSI	123	181	102	102	73	87

Actuator & Valve body combinations	Actuator Mode	Air pressure	Valve Size					
			1"	1½"	2"	2 ½"	3"	4"
			PVE0	PVE1	PVE1	PVE2	PVE2	PVE3
	Air	6 Bar	17.0	18	10	10.0	7.0	8.5
	Air	87 PSI	247	254	145	145	102	123
	Air	6 Bar	15.5	17.5	10.0	10.0	7.0	8.5
	Air	87 PSI	225	254	145	145	102	123
	Air	6 Bar	17.5	17.5	10.0	10.0	7.0	8.5
	Air	87 PSI	254	145	94	102	102	123

# NEUMO EHRENBERG GROUP

## GLOBAL LOCATIONS



### NEUMO GmbH+Co. KG (D)

Tel: +49 (0) 7043 36 0  
Fax: +49 (0) 7043 36 179  
E-Mail: [info@neumo.de](mailto:info@neumo.de)  
[www.neumo.de](http://www.neumo.de)

**GERMANY**



### VNE Corporation

Tel: +1 800 356 1111  
+1 608 756 4930  
Fax: +1 608 756 3643  
E-Mail: [stainless@vnecorp.com](mailto:stainless@vnecorp.com)  
[www.vnestainless.com](http://www.vnestainless.com)

**U.S.A**



### EGMO Ltd.

Tel: +972 (0) 4 9855 176  
+972 (0) 4 9855 111  
Fax: +972 (0) 4 9855 175  
E-Mail: [salese@egmo.co.il](mailto:salese@egmo.co.il)  
[www.egmo.co.il](http://www.egmo.co.il)

**ISRAEL**



### NEUMO-EGMO Spain S.L

Tel: +34 977 524 914  
Fax: +34 977 524 898  
E-Mail: [neumo-es@neumo-es.com](mailto:neumo-es@neumo-es.com)  
[www.neumo-es.com](http://www.neumo-es.com)

**SPAIN**



### HPT Inc.

Tel: +845.452.1103  
+800.284.4478  
E-Mail: [sales@hptinc.com](mailto:sales@hptinc.com)  
<http://www.hptinc.com/>

**U.S.A**



### Herrli AG

Tel: +41 (0) 31 750 12 11  
Fax: +41 (0) 31 750 12 00  
E-Mail: [info@herrli.net](mailto:info@herrli.net)  
[www.herrli.net](http://www.herrli.net)

**SWITZERLAND**



### NEUMO Polska Sp. z.o.o

Tel: +48 (0) 46 833 4306  
Fax: +48 (0) 46 832 5626  
E-Mail: [neumo@neumo.pl](mailto:neumo@neumo.pl)

**POLAND**



### NEUMO Turkey

Tel: +90 (212) 875 01 41  
Fax: +90 (212) 875 23 13  
E-Mail: [info@neumo.com.tr](mailto:info@neumo.com.tr)  
[www.neumo.com.tr](http://www.neumo.com.tr)

**TURKEY**



### NEUMO Budapest Kft

Tel: +36 (1) 3174177  
+36 (1) 3185982  
Fax: +36 (1) 266 8765  
E-Mail: [neumo@neumo.hu](mailto:neumo@neumo.hu)  
[www.neumo.hu](http://www.neumo.hu)

**HUNGARY**



### NEUMO GmbH + Co. KG

Tel: +84 (4) 3773 6586  
Fax: +84 (4) 3773 6587  
E-Mail: [info@neumo.com.vn](mailto:info@neumo.com.vn)  
[www.neumo.co.vn](http://www.neumo.co.vn)

**VIETNAM**



### NEUMO - VARGUS (Shanghai)

Trading Co., Ltd  
Tel: +86 (21) 51688300  
Fax: +86 (21) 51688380  
E - Mail: [info@neumo.com.cn](mailto:info@neumo.com.cn)

**CHINA**



### NEUMO UK Ltd.

Tel: +44 (0) 1952 583 999  
Fax: +44 (0) 1952 583 958  
E-Mail: [stainless@neumo.co.uk](mailto:stainless@neumo.co.uk)  
[www.neumo.co.uk](http://www.neumo.co.uk)

**UNITED KINGDOM**



### AWH Armaturenwerke (D)

Hötensleben GmbH  
Tel: +49 (0) 39405 92 0  
Fax: +49 (0) 39405 92 111  
E-Mail: [info@awh.de](mailto:info@awh.de)  
[www.awh.de](http://www.awh.de)

### Damstahl GmbH (D)

Tel: +49 (0) 2173 797 0  
Fax: +49 (0) 2173 797 274  
E-Mail: [ds@damstahl.de](mailto:ds@damstahl.de)  
[www.damstahl.de](http://www.damstahl.de)

### Gebr. Rieger GmbH+Co. KG (D)

Tel: +49 (0) 7361 5702 0  
Fax: +49 (0) 7361 5702 51  
E-Mail: [info@rr-rieger.de](mailto:info@rr-rieger.de)  
[www.rr-rieger.de](http://www.rr-rieger.de)

**GERMANY**



### NEUMO

Tel: +353 (0)21 4975540  
Cel: +353 (0)87 2330469  
E-Mail: [dosullivan@neumo.de](mailto:dosullivan@neumo.de)  
[www.neumo.de/en/](http://www.neumo.de/en/)

**IRELAND**



### Damstahl a/s (Denmark)

Tel: +45 (0) 8794 4000  
Fax: +45 (0) 8794 4150  
E-Mail: [ds@damstahl.com](mailto:ds@damstahl.com)  
[www.damstahl.dk](http://www.damstahl.dk)

**DENMARK**



### Damstahl a/s Oslo (N)

Tel: +47 5615 1570  
Fax: +47 5615 1571  
E-Mail: [dano@damstahl.com](mailto:dano@damstahl.com)  
[www.damstahl.no](http://www.damstahl.no)

**NORWAY**



### Damstahl a/b (Sweden)

Tel: +46 87 61 71 00  
Fax: +46 87 61 14 05  
[www.damstahl.se](http://www.damstahl.se)

**SWEDEN**

