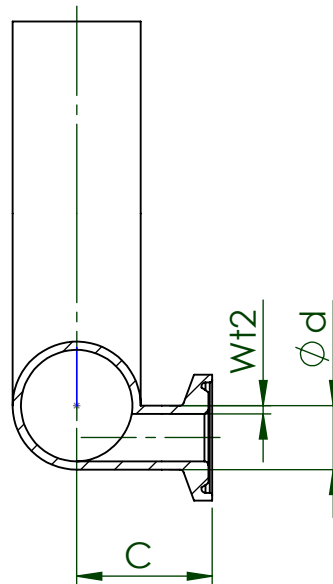
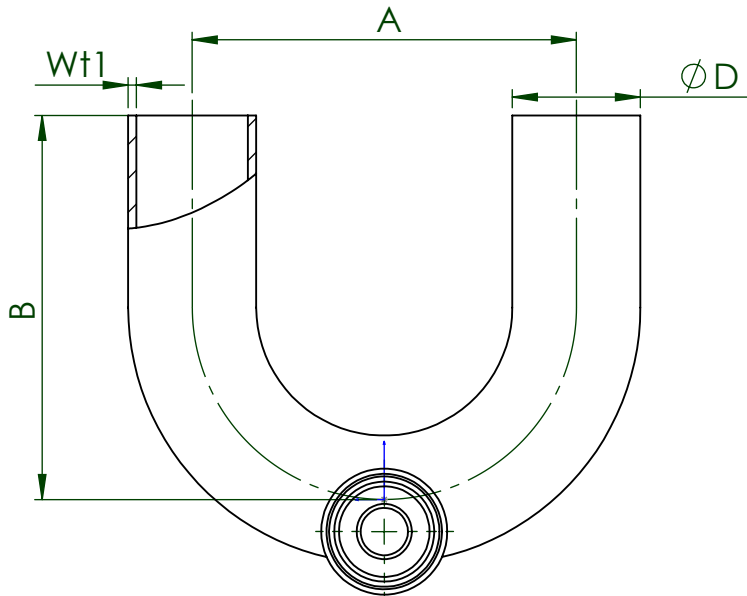


CODE	SIZE	A		B		C		D		d		Wt1		Wt2	
		[mm]	[inch]	[mm]	[inch]	[mm]	[inch]	[mm]	[inch]	[mm]	[inch]	[mm]	[inch]	[mm]	[inch]
TE2UBWWC6L.75x.5--	3/4" x 1/2"	114.3	4.500	76.2	3.000	22.2	0.875	19.05	3/4	12.7	1/2	1.65	.065	1.65	.065
TE2UBWWC6L.75x.75--	3/4" x 3/4"	114.3	4.500	76.2	3.000	22.2	0.875	19.05	3/4	19.05	3/4	1.65	.065	1.65	.065
TE2UBWWC6L1.0x.5--	1.0" x 1/2"	76.2	3.000	76.2	3.000	26.9	1.062	25.4	1.0	12.7	1/2	1.65	.065	1.65	.065
TE2UBWWC6L1.5x.5--	1 1/2" x 1/2"	114.3	4.500	114.3	4.500	33.3	13.12	38.1	1 1/2	12.7	1/2	1.65	.065	1.65	.065
TE2UBWWC6L2.0x.5--	2.0" x 1/2"	152.4	6.000	127.0	5.000	39.7	1.562	50.8	2.0	12.7	1/2	1.65	.065	1.65	.065
TE2UBWWC6L2.5x.5--	2 1/2" x 1/2"	190.5	7.500	146.1	5.750	46.0	1.812	63.5	2 1/2	12.7	1/2	1.65	.065	1.65	.065
TE2UBWWC6L3.0x.5--	3.0" x 1/2"	228.6	9.000	165.1	6.500	52.4	2.062	76.2	3.0	12.7	1/2	1.65	.065	1.65	.065
TE2UBWWC6L4.0x.5--	4.0" x 1/2"	304.8	12.000	215.9	8.500	65.0	2.562	101.6	4.0	12.7	1/2	2.11	.083	1.65	.065



**EGMO**

EGMO LTD. Tanks and stainless steel accessories  
P.O.B. 1111, 1 Hayotsrim St. 22110 Nahariya Israel  
Tel. 972-4-9855175 Fax: 972-4-9855173

Ordering Code:

TE2USWWC- 180

Drawn **Guy.S** 4/19/2015

Approved **Alex.L** 4/19/2015

Material: AISI 316L

©2014 EGMO Ltd. All rights reserved.  
The information on this drawing may  
not be reproduced or republished  
without prior consent of EGMO Ltd

Finish: ASME BPE-2012  
(Per ordering)

**MaxPure**

Size - A4

Rev: 0

Sheet 1 From 1