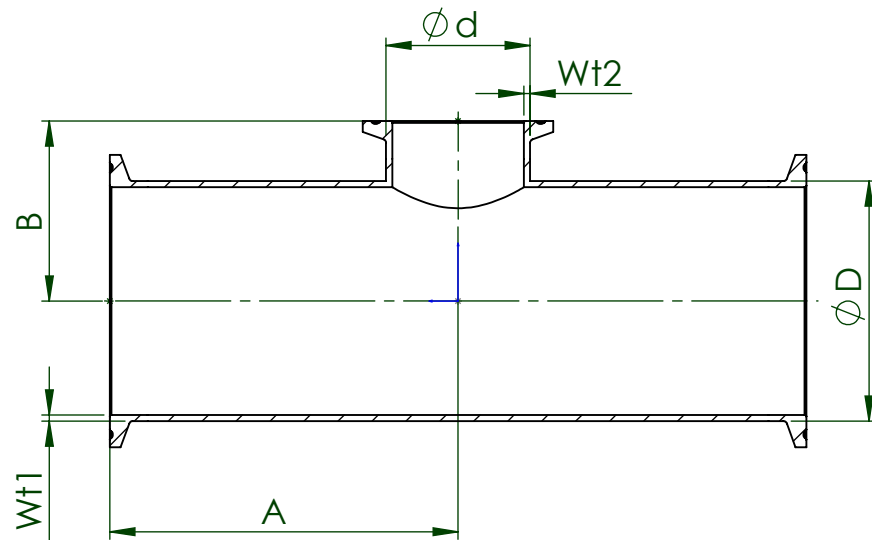


CODE	SIZE	A		B		D		d		Wt1		Wt2	
		[mm]	[inch]	[mm]	[inch]	[mm]	[inch]	[mm]	[inch]	[mm]	[inch]	[mm]	[inch]
TE7RWWW6L.375x.25-..	3/8" x 1/4"	57.2	2.250	25.4	1.000	9.53	3/8	6.35	1/4	0.89	.035	0.89	.035
TE7RWWW6L.5x.25-..	1/2" x 1/4"	60.3	2.375	25.4	1.000	12.7	1/2	6.35	1/4	1.65	.065	0.89	.035
TE7RWWW6L.5x.375-..	1/2" x 3/8"	60.3	2.375	25.4	1.000	12.7	1/2	9.53	3/8	1.65	.065	0.89	.035
TE7RWWW6L.75x.25-..	3/4" x 1/4"	63.5	2.500	25.4	1.000	19.05	3/4	6.35	1/4	1.65	.065	0.89	.035
TE7RWWW6L.75x.375-..	3/4" x 3/8"	63.5	2.500	25.4	1.000	19.05	3/4	9.53	3/8	1.65	.065	0.89	.035
TE7RWWW6L.75x.5-..	3/4" x 1/2"	63.5	2.500	25.4	1.000	19.05	1.0	12.7	1/2	1.65	.065	1.65	.065
TE7RWWW6L1.0x.25-..	1.0" x 1/4"	66.7	2.625	28.6	1.125	25.4	1.0	6.35	1/4	1.65	.065	0.89	.035
TE7RWWW6L1.0x.375-..	1.0" x 3/8"	66.7	2.625	28.6	1.125	25.4	1.0	9.53	3/8	1.65	.065	0.89	.035
TE7RWWW6L1.0x.5-..	1.0" x 1/2"	66.7	2.625	28.6	1.125	25.4	1.0	12.7	1/2	1.65	.065	1.65	.065
TE7RWWW6L1.0x.75-..	1.0" x 3/4"	66.7	2.625	28.6	1.125	25.4	1.0	19.05	3/4	1.65	.065	1.65	.065
TE7RWWW6L1.5x.5-..	1 1/2" x 1/2"	73.0	2.875	34.9	1.375	38.1	1 1/2	12.7	1/2	1.65	.065	1.65	.065
TE7RWWW6L1.5x.75-..	1 1/2" x 3/4"	73.0	2.875	34.9	1.375	38.1	1 1/2	19.05	3/4	1.65	.065	1.65	.065
TE7RWWW6L1.5x1.0-..	1 1/2" x 1.0"	73.0	2.875	34.9	1.375	38.1	1 1/2	25.4	1.0	1.65	.065	1.65	.065
TE7RWWW6L2.0x.5-..	2.0" x 1/2"	85.7	3.375	41.3	1.625	50.8	2.0	12.7	1/2	1.65	.065	1.65	.065
TE7RWWW6L2.0x.75-..	2.0" x 3/4"	85.7	3.375	41.3	1.625	50.8	2.0	19.05	3/4	1.65	.065	1.65	.065
TE7RWWW6L2.0x1.0-..	2.0" x 1.0"	85.7	3.375	41.3	1.625	50.8	2.0	25.4	1.0	1.65	.065	1.65	.065
TE7RWWW6L2.0x1.5-..	2.0" x 1 1/2"	85.7	3.375	41.3	1.625	50.8	2.0	38.1	1 1/2	1.65	.065	1.65	.065
TE7RWWW6L2.5x.5-..	2 1/2" x 1/2"	92.1	3.625	47.6	1.875	63.5	2 1/2	12.7	1/2	1.65	.065	1.65	.065
TE7RWWW6L2.5x.75-..	2 1/2" x 3/4"	92.1	3.625	47.6	1.875	63.5	2 1/2	19.05	3/4	1.65	.065	1.65	.065
TE7RWWW6L2.5x1.0-..	2 1/2" x 1.0"	92.1	3.625	47.6	1.875	63.5	2 1/2	25.4	1.0	1.65	.065	1.65	.065
TE7RWWW6L2.5x1.5-..	2 1/2" x 1 1/2"	92.1	3.625	47.6	1.875	63.5	2 1/2	38.1	1 1/2	1.65	.065	1.65	.065
TE7RWWW6L2.5x2.0-..	2 1/2" x 2.0"	92.1	3.625	47.6	1.875	63.5	2 1/2	50.8	2.0	1.65	.065	1.65	.065
TE7RWWW6L3.0x.5-..	3.0" x 1/2"	98.4	3.875	54.0	2.125	76.2	3.0	12.7	1/2	1.65	.065	1.65	.065
TE7RWWW6L3.0x.75-..	3.0" x 3/4"	98.4	3.875	54.0	2.125	76.2	3.0	19.05	3/4	1.65	.065	1.65	.065
TE7RWWW6L3.0x1.0-..	3.0" x 1.0"	98.4	3.875	54.0	2.125	76.2	3.0	25.4	1.0	1.65	.065	1.65	.065
TE7RWWW6L3.0x1.5-..	3.0" x 1 1/2"	98.4	3.875	54.0	2.125	76.2	3.0	38.1	1 1/2	1.65	.065	1.65	.065
TE7RWWW6L3.0x2.0-..	3.0" x 2.0"	98.4	3.875	54.0	2.125	76.2	3.0	50.8	2.0	1.65	.065	1.65	.065
TE7RWWW6L3.0x2.5-..	3.0" x 2 1/2"	98.4	3.875	54.0	2.125	76.2	3.0	63.5	2 1/2	1.65	.065	1.65	.065
TE7RWWW6L4.0x.5-..	4.0" x 1/2"	120.7	4.750	66.7	2.625	101.6	4.0	12.7	1/2	2.11	.083	1.65	.065
TE7RWWW6L4.0x.75-..	4.0" x 3/4"	120.7	4.750	66.7	2.625	101.6	4.0	19.05	3/4	2.11	.083	1.65	.065
TE7RWWW6L4.0x1.0-..	4.0" x 1.0"	120.7	4.750	66.7	2.625	101.6	4.0	25.4	1.0	2.11	.083	1.65	.065
TE7RWWW6L4.0x1.5-..	4.0" x 1 1/2"	120.7	4.750	66.7	2.625	101.6	4.0	38.1	1 1/2	2.11	.083	1.65	.065
TE7RWWW6L4.0x2.0-..	4.0" x 2.0"	120.7	4.750	66.7	2.625	101.6	4.0	50.8	2.0	2.11	.083	1.65	.065
TE7RWWW6L4.0x2.5-..	4.0" x 2 1/2"	120.7	4.750	66.7	2.625	101.6	4.0	63.5	2 1/2	2.11	.083	1.65	.065
TE7RWWW6L4.0x3.0-..	4.0" x 3.0"	120.7	4.750	66.7	2.625	101.6	4.0	76.2	3.0	2.11	.083	1.65	.065
TE7RWWW6L6.0x.5-..	6.0" x 1/2"	181.0	7.125	92.1	3.625	152.4	6.0	12.7	1/2	2.77	.109	1.65	.065
TE7RWWW6L6.0x.75-..	6.0" x 3/4"	181.0	7.125	92.1	3.625	152.4	6.0	19.05	3/4	2.77	.109	1.65	.065
TE7RWWW6L6.0x1.0-..	6.0" x 1.0"	181.0	7.125	92.1	3.625	152.4	6.0	25.4	1.0	2.77	.109	1.65	.065
TE7RWWW6L6.0x1.5-..	6.0" x 1 1/2"	181.0	7.125	92.1	3.625	152.4	6.0	38.1	1 1/2	2.77	.109	1.65	.065
TE7RWWW6L6.0x2.0-..	6.0" x 2.0"	181.0	7.125	92.1	3.625	152.4	6.0	50.8	2.0	2.77	.109	1.65	.065
TE7RWWW6L6.0x2.5-..	6.0" x 2 1/2"	181.0	7.125	92.1	3.625	152.4	6.0	63.5	2 1/2	2.77	.109	1.65	.065
TE7RWWW6L6.0x3.0-..	6.0" x 3.0"	181.0	7.125	92.1	3.625	152.4	6.0	76.2	3.0	2.77	.109	1.65	.065
TE7RWWW6L6.0x4.0-..	6.0" x 4.0"	181.0	7.125	95.3	3.750	152.4	6.0	101.6	4.0	2.77	.109	2.11	.083



	EGMO LTD. Tanks and stainless steel accessories P.O.B. 1111, 1 Hayotstrim St. 22110 Nahariya Israel Tel. 972-4-9855175 Fax: 972-4-9855173		
	Ordering Code: TEG7RS- SHORT OUTLET REDUCING TEE	Drawn Guy.S	4/15/2015
	Approved Alex.L	4/15/2015	
	Material: AISI 316L		
©2014 EGMO Ltd. All rights reserved. The information on this drawing may not be reproduced or republished without prior consent of EGMO Ltd	Finish: ASME BPE-2012 (Per ordering)		
	Size - A4	Rev: 0	
		Sheet 1 From 1	