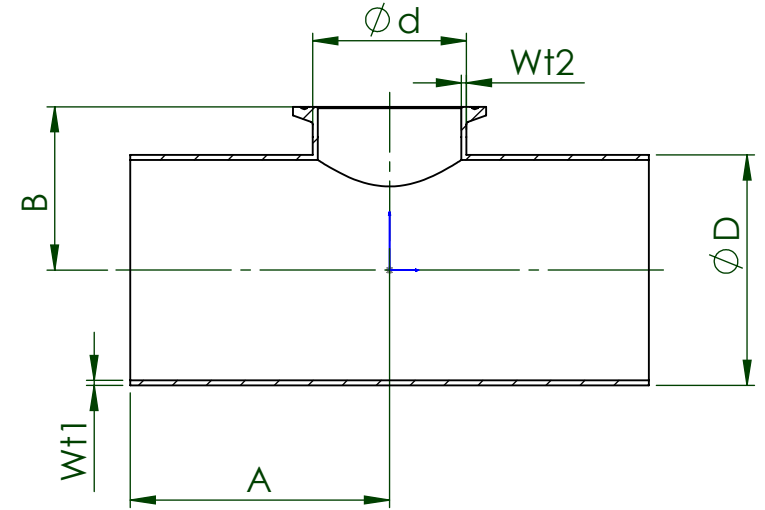




CODE	SIZE	A		B		D		d		Wt1		Wt2	
		[mm]	[inch]	[mm]	[inch]	[mm]	[inch]	[mm]	[inch]	[mm]	[inch]	[mm]	[inch]
TE7RWWW6L.75x.5-..	3/4" x 1/2"	50.8	2.000	63.5	2.500	19.05	1.0	12.7	1/2	1.65	.065	1.65	.065
TE7RWWW6L1.0x.5-..	1.0" x 1/2"	54.0	2.125	66.7	2.625	25.4	1.0	12.7	1/2	1.65	.065	1.65	.065
TE7RWWW6L1.0x.75-..	1.0" x 3/4"	54.0	2.125	66.7	2.625	25.4	1.0	19.05	3/4	1.65	.065	1.65	.065
TE7RWWW6L1.5x.5-..	1 1/2" x 1/2"	60.3	2.375	73.0	2.875	38.1	1 1/2	12.7	1/2	1.65	.065	1.65	.065
TE7RWWW6L1.5x.75-..	1 1/2" x 3/4"	60.3	2.375	73.0	2.875	38.1	1 1/2	19.05	3/4	1.65	.065	1.65	.065
TE7RWWW6L1.5x1.0-..	1 1/2" x 1.0"	60.3	2.375	73.0	2.875	38.1	1 1/2	25.4	1.0	1.65	.065	1.65	.065
TE7RWWW6L2.0x.5-..	2.0" x 1/2"	73.0	2.875	79.4	3.125	50.8	2.0	12.7	1/2	1.65	.065	1.65	.065
TE7RWWW6L2.0x.75-..	2.0" x 3/4"	73.0	2.875	79.4	3.125	50.8	2.0	19.05	3/4	1.65	.065	1.65	.065
TE7RWWW6L2.0x1.0-..	2.0" x 1.0"	73.0	2.875	79.4	3.125	50.8	2.0	25.4	1.0	1.65	.065	1.65	.065
TE7RWWW6L2.0x1.5-..	2.0" x 1 1/2"	73.0	2.875	79.4	3.125	50.8	2.0	38.1	1 1/2	1.65	.065	1.65	.065
TE7RWWW6L2.5x.5-..	2 1/2" x 1/2"	79.4	3.125	85.7	3.375	63.5	2 1/2	12.7	1/2	1.65	.065	1.65	.065
TE7RWWW6L2.5x1.5-..	2 1/2" x 1 1/2"	79.4	3.125	85.7	3.375	63.5	2 1/2	38.1	1 1/2	1.65	.065	1.65	.065
TE7RWWW6L2.5x2.0-..	2 1/2" x 2.0"	79.4	3.125	85.7	3.375	63.5	2 1/2	50.8	2.0	1.65	.065	1.65	.065
TE7RWWW6L3.0x1.0-..	3.0" x 1.0"	85.7	3.375	92.1	3.625	76.2	3.0	25.4	1.0	1.65	.065	1.65	.065
TE7RWWW6L3.0x1.5-..	3.0" x 1 1/2"	85.7	3.375	92.1	3.625	76.2	3.0	38.1	1 1/2	1.65	.065	1.65	.065
TE7RWWW6L3.0x2.0-..	3.0" x 2.0"	85.7	3.375	92.1	3.625	76.2	3.0	50.8	2.0	1.65	.065	1.65	.065
TE7RWWW6L3.0x2.5-..	3.0" x 2 1/2"	85.7	3.375	92.1	3.625	76.2	3.0	63.5	2 1/2	1.65	.065	1.65	.065
TE7RWWW6L4.0x1.0-..	4.0" x 1.0"	104.8	4.125	104.8	4.125	101.6	4.0	25.4	1.0	2.11	.083	1.65	.065
TE7RWWW6L4.0x1.5-..	4.0" x 1 1/2"	104.8	4.125	104.8	4.125	101.6	4.0	38.1	1 1/2	2.11	.083	1.65	.065
TE7RWWW6L4.0x2.0-..	4.0" x 2.0"	104.8	4.125	111.1	4.375	101.6	4.0	50.8	2.0	2.11	.083	1.65	.065
TE7RWWW6L4.0x2.5-..	4.0" x 2 1/2"	104.8	4.125	111.1	4.375	101.6	4.0	63.5	2 1/2	2.11	.083	1.65	.065
TE7RWWW6L4.0x3.0-..	4.0" x 3.0"	104.8	4.125	111.1	4.375	101.6	4.0	76.2	3.0	2.11	.083	1.65	.065
TE7RWWW6L6.0x3.0-..	6.0" x 3.0"	142.9	5.625	136.5	5.375	152.4	6.0	76.2	3.0	2.77	.109	1.65	.065
TE7RWWW6L6.0x4.0-..	6.0" x 4.0"	142.9	5.625	146.1	5.750	152.4	6.0	101.6	4.0	2.77	.109	2.11	.083



	<b>EGMO LTD.</b> Tanks and stainless steel accessories P.O.B. 1111, 1 Hayotsrim St. 22110 Nahariya Israel Tel. 972-4-9855175 Fax: 972-4-9855173		
	<b>Ordering Code:</b> TE7RWWC-REDUCING TEE	Drawn: <b>Guy.S</b> Approved: <b>Alex.L</b> Material: AISI 316L	<b>4/20/2015</b> <b>4/20/2015</b>
©2014 EGMO Ltd. All rights reserved. The information on this drawing may not be reproduced or republished without prior consent of EGMO Ltd	Finish: ASME BPE-2012 (Per ordering)		
	Size - A4 Rev: 0	Sheet 1 From 1	