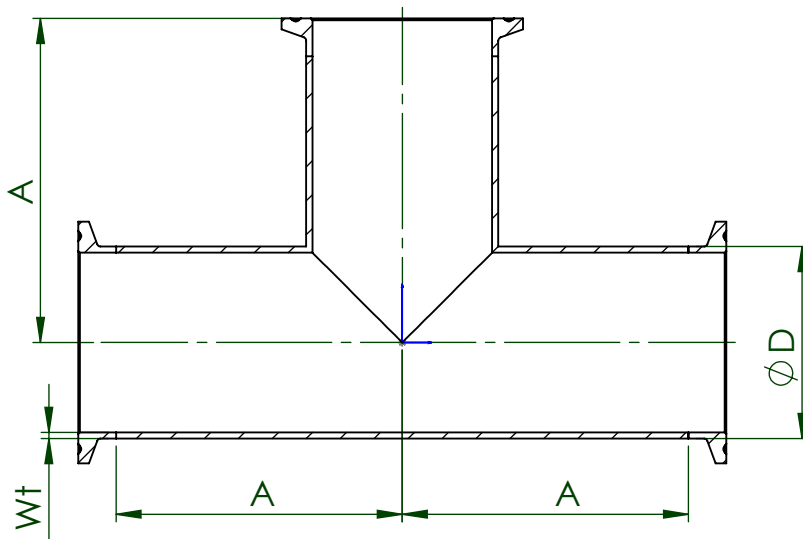


CODE	SIZE	A		D		Wt	
		[mm]	[inch]	[mm]	[inch]	[mm]	[inch]
<b>TEG76L.25-..</b>	¼"	57.2	2.250	6.35	.25	0.89	.035
<b>TEG76L.375-..</b>	⅜"	57.2	2.250	9.52	.375	0.89	.035
<b>TEG76L.5-..</b>	½"	57.2	2.250	12.70	.5	1.65	.065
<b>TEG76L.75-..</b>	¾"	60.3	2.375	19.05	.75	1.65	.065
<b>TEG76L1.0-..</b>	1"	66.7	2.625	25.40	1	1.65	.065
<b>TEG76L1.5-..</b>	1½"	73.0	2.875	38.10	1.5	1.65	.065
<b>TEG76L2.0-..</b>	2"	85.7	3.375	50.80	2	1.65	.065
<b>TEG76L2.5-..</b>	2½"	92.1	3.625	63.50	2.5	1.65	.065
<b>TEG76L3.0-..</b>	3"	98.4	3.875	76.20	3	1.65	.065
<b>TEG76L4.0-..</b>	4"	120.7	4.750	101.60	4	2.11	.083
<b>TEG76L6.0-..</b>	6"	181.0	7.125	152.40	6	2.77	.109



**EGMO LTD.** Tanks and stainless steel accessories  
P.O.B. 1111, 1 Hayotsrim St. 22110 Nahariya Israel  
Tel. 972-4-9855175 Fax: 972-4-9855173

Ordering Code:

TEG7-TEE

Drawn **Guy.S** 4/12/2015

Approved **Alex.L** 4/12/2015

Material: AISI 316L

*©2014 EGMO Ltd. All rights reserved.  
The information on this drawing may  
not be reproduced or republished  
without prior consent of EGMO Ltd*

Finish: ASME BPE-2012  
(Per ordering)



Size - A4

Rev: 0

Sheet 1 From 1