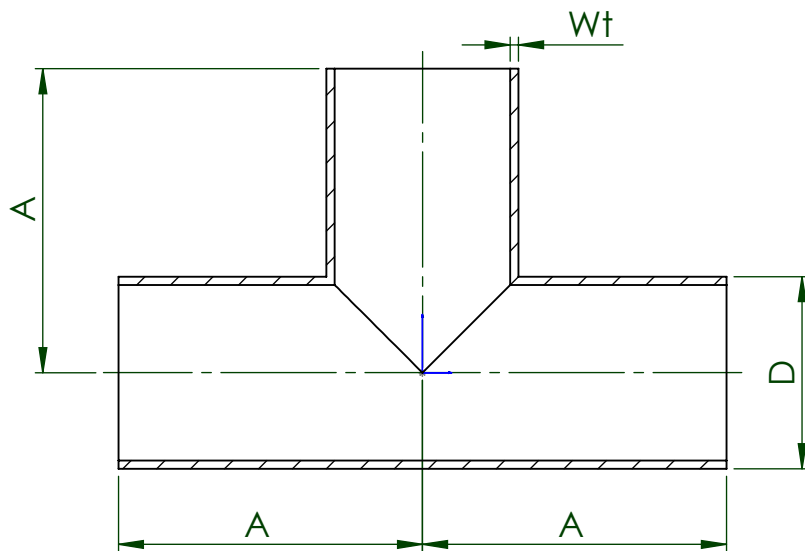


CODE	SIZE	A		D		Wt	
		[mm]	[inch]	[mm]	[inch]	[mm]	[inch]
TE7WWW6L.25-..	¼"	44.5	1.750	6.35	.25	0.89	.035
TE7WWW6L.375-..	⅜"	44.5	1.750	9.52	.375	0.89	.035
TE7WWW6L.5-..	½"	47.6	1.875	12.70	.5	1.65	.065
TE7WWW6L.75-..	¾"	50.8	2.000	19.05	.75	1.65	.065
TE7WWW6L1.0-..	1"	54.0	2.125	25.40	1	1.65	.065
TE7WWW6L1.5-..	1½"	60.3	2.375	38.10	1.5	1.65	.065
TE7WWW6L2.0-..	2"	73.0	2.875	50.80	2	1.65	.065
TE7WWW6L2.5-..	2½"	79.4	3.125	63.50	2.5	1.65	.065
TE7WWW6L3.0-..	3"	85.7	3.375	76.20	3	1.65	.065
TE7WWW6L4.0-..	4"	104.8	4.125	101.60	4	2.11	.083
TE7WWW6L6.0-..	6"	142.9	5.625	152.40	6	2.77	.109



EGMO LTD. Tanks and stainless steel accessories
P.O.B. 1111, 1 Hayotsrim St. 22110 Nahariya Israel
Tel. 972-4-9855175 Fax: 972-4-9855173

Ordering Code:

TE7WWW-TEE

Drawn **Guy.S** 4/12/2015

Approved **Alex.L** 4/12/2015

Material: AISI 316L

©2014 EGMO Ltd. All rights reserved.
The information on this drawing may
not be reproduced or republished
without prior consent of EGMO Ltd

Finish: ASME BPE-2012
(Per ordering)



Size - A4

Rev: 0

Sheet 1 From 1