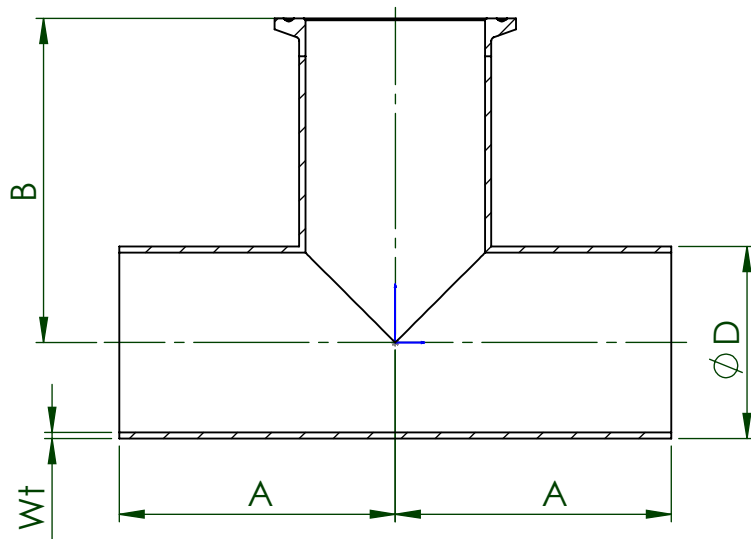


| TE7WWC6L6.0-.. | SIZE | A     |        | B      |        | D      |        | Wt   |        |
|----------------|------|-------|--------|--------|--------|--------|--------|------|--------|
|                |      | [mm]  | [inch] | [mm]   | [inch] | [mm]   | [inch] | [mm] | [inch] |
| TE7WWC6L5-..   | ½"   | 47.6  | 1.875  | 57.20  | 3.75   | 12.70  | .5     | 1.65 | .065   |
| TE7WWC6L75-..  | ¾"   | 50.8  | 2.000  | 60.30  | 4.00   | 19.05  | .75    | 1.65 | .065   |
| TE7WWC6L1.0-.. | 1"   | 54.0  | 2.125  | 66.68  | 4.25   | 25.40  | 1      | 1.65 | .065   |
| TE7WWC6L1.5-.. | 1½"  | 60.3  | 2.375  | 73.03  | 4.75   | 38.10  | 1.5    | 1.65 | .065   |
| TE7WWC6L2.0-.. | 2"   | 73.0  | 2.875  | 85.70  | 5.75   | 50.80  | 2      | 1.65 | .065   |
| TE7WWC6L2.5-.. | 2½"  | 79.4  | 3.125  | 92.08  | 6.25   | 63.50  | 2.5    | 1.65 | .065   |
| TE7WWC6L3.0-.. | 3"   | 85.7  | 3.375  | 98.43  | 6.75   | 76.20  | 3      | 1.65 | .065   |
| TE7WWC6L4.0-.. | 4"   | 104.8 | 4.125  | 120.65 | 8.25   | 101.60 | 4      | 2.11 | .083   |
| TE7WWC6L6.0-.. | 6"   | 142.9 | 5.625  | 181.00 | 11.25  | 152.40 | 6      | 2.77 | .109   |



|  |   |                       |                  |
|--|---|-----------------------|------------------|
|   | <b>EGMO LTD.</b> Tanks and stainless steel accessories<br>P.O.B. 1111, 1 Hayotsrim St. 22110 Nahariya Israel<br>Tel. 972-4-9855175 Fax: 972-4-9855173 |                       |                  |
|  | <b>Ordering Code:</b><br>TE7WWC-TEE   | <b>Drawn</b><br>Guy.S | <b>4/12/2015</b> |
|  | <b>Approved</b><br>Alex.L   | <b>4/12/2015</b>      |                  |
|  | <b>Material:</b> AISI 316L  |                       |                  |
| ©2014 EGMO Ltd. All rights reserved.<br>The information on this drawing may not be reproduced or republished without prior consent of EGMO Ltd | <b>Finish:</b> ASME BPE-2012 (Per ordering)   |                       |                  |
|   | Size - A4   | Rev: 0                | Sheet 1 From 1   |