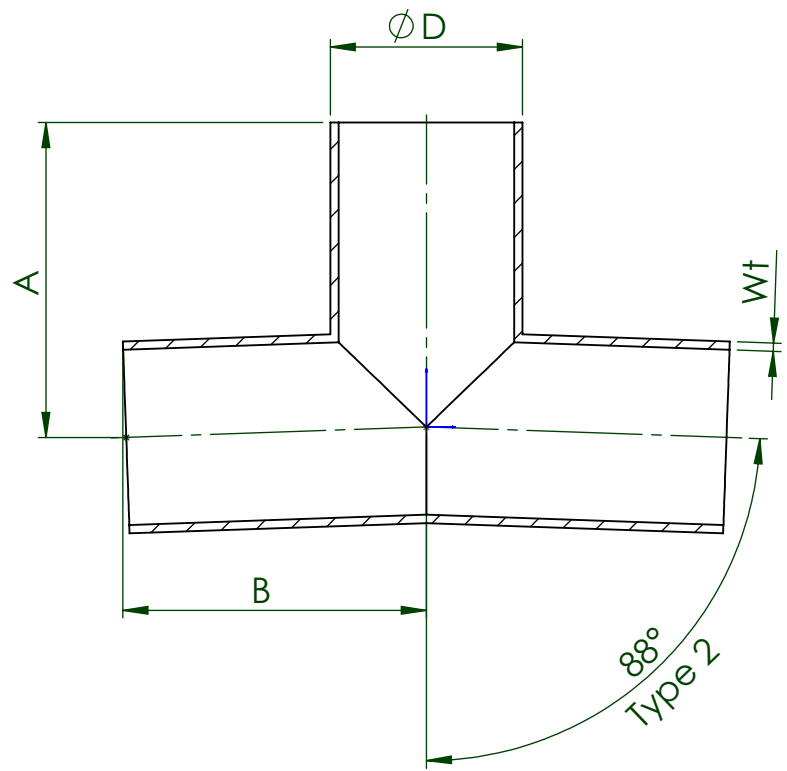


CODE	SIZE	A		B		D		Wt	
		[mm]	[inch]	[mm]	[inch]	[mm]	[inch]	[mm]	[inch]
TE7WWW886L1.0-..	1"	55.880	2.20	53.848	2.12	25.40	1	1.65	.065
TE7WWW886L1.5-..	1½"	62.484	2.46	60.198	2.37	38.10	1.5	1.65	.065
TE7WWW886L2.0-..	2"	75.692	2.98	72.898	2.87	50.80	2	1.65	.065
TE7WWW886L2.5-..	2½"	82.296	3.24	79.248	3.12	63.50	2.5	1.65	.065
TE7WWW886L3.0-..	3"	88.900	3.50	94.742	3.73	76.20	3	1.65	.065
TE7WWW886L4.0-..	4"	108.458	4.27	104.648	4.12	101.60	4	2.11	.083



	EGMO LTD. Tanks and stainless steel accessories P.O.B. 1111, 1 Hayotsrim St. 22110 Nahariya Israel Tel. 972-4-9855175 Fax: 972-4-9855173		
	Ordering Code: TE7WWW1766L_._-..	Drawn Guy.S 4/12/2015	Approved Alex.L 4/12/2015
©2014 EGMO Ltd. All rights reserved. The information on this drawing may not be reproduced or republished without prior consent of EGMO Ltd	Finish: ASME BPE-2012 (Per ordering)		
	Size - A4 Rev: 0	Sheet 1 From 1	