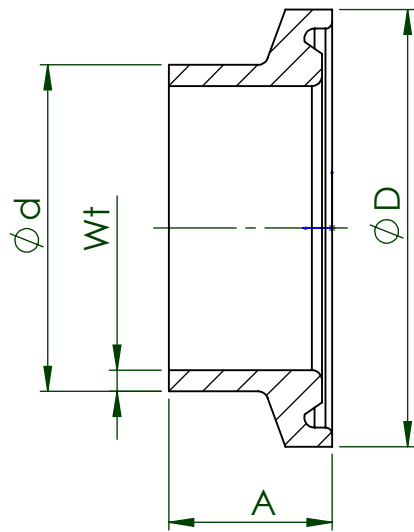
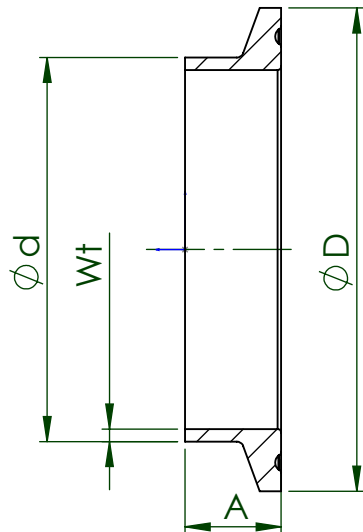


Type A



Type B



CODE	Type	D		d		A		Wt	
		[mm]	[inch]	[mm]	[inch]	[mm]	[inch]	[mm]	[inch]
TEG2CS6L.25	A	24.9	0.984	6.35	1/4	12.7	0.500	0.89	.035
TEG2CS6L.375	A	24.9	0.984	9.53	3/8	12.7	0.500	0.89	.035
TEG2CS6L.5	A	24.9	0.984	12.70	1/2	12.7	0.500	1.65	.065
TEG2CS6L.75	A	24.9	0.984	19.05	3/4	12.7	0.500	1.65	.065
TEG2CS6L1.0	A	34.0	1.339	25.40	1.0	12.7	0.500	1.65	.065
TEG2CS6L1.0	B	50.3	1.984	25.40	1.0	12.7	0.500	1.65	.065
TEG2CS6L1.5	B	50.3	1.984	38.10	1 1/2	12.7	0.500	1.65	.065
TEG2CS6L2.0	B	63.9	2.516	50.80	2.0	12.7	0.500	1.65	.065
TEG2CS6L2.5	B	77.3	3.047	63.50	2 1/2	12.7	0.500	1.65	.065
TEG2CS6L3.0	B	90.9	3.579	76.20	3.0	12.7	0.500	1.65	.065
TEG2CS6L4.0	B	118.9	4.682	101.60	4.0	15.9	0.625	2.11	.083
TEG2CS6L6.0	B	166.8	6.570	152.40	6.0	19.1	0.750	2.77	.109



EGMO

EGMO LTD. Tanks and stainless steel accessories
P.O.B. 1111, 1 Hayotsrim St. 22110 Nahariya Israel
Tel. 972-4-9855175 Fax: 972-4-9855173

Ordering Code:

**TEG2CS- CLAMP
FERRULE SHORT**

Drawn **Guy.S** 4/20/2015

Approved **Alex.L** 4/20/2015

Material: AISI 316L

©2014 EGMO Ltd. All rights reserved.
The information on this drawing may
not be reproduced or republished
without prior consent of EGMO Ltd

Finish: ASME BPE-2012
(Per ordering)



Size - A4

Rev: 0

Sheet 1 From 1