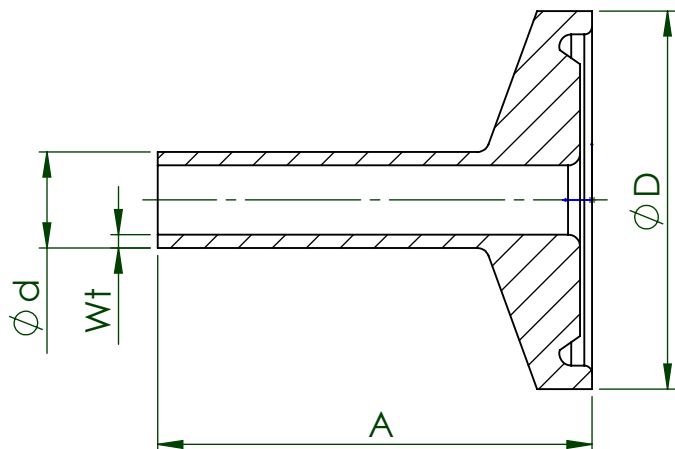
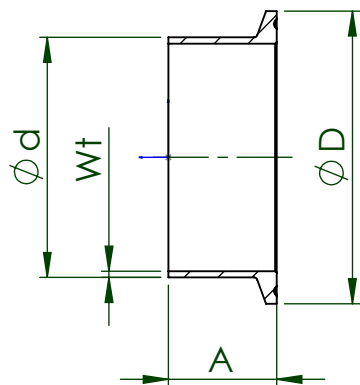


Type A



CODE	Type	D		d		A		Wt	
		[mm]	[inch]	[mm]	[inch]	[mm]	[inch]	[mm]	[inch]
TEG14BM76L.25	A	24.9	0.984	6.35	1/4	28.7	1.13	0.89	.035
TEG14BM76L.375	A	24.9	0.984	9.53	3/8	28.7	1.13	0.89	.035
TEG14BM76L.5	A	24.9	0.984	12.70	1/2	28.7	1.13	1.65	.065
TEG14BM76L.75	A	24.9	0.984	19.05	3/4	28.7	1.13	1.65	.065
TEG14BM76L1.0	A	34.0	1.339	25.40	1.0	28.7	1.13	1.65	.065
TEG14BM76L1.0	B	50.3	1.984	25.40	1.0	28.7	1.13	1.65	.065
TEG14BM76L1.5	B	50.3	1.984	38.10	1 1/2	28.7	1.13	1.65	.065
TEG14BM76L2.0	B	63.9	2.516	50.80	2.0	28.7	1.13	1.65	.065
TEG14BM76L2.5	B	77.3	3.047	63.50	2 1/2	28.7	1.13	1.65	.065
TEG14BM76L3.0	B	90.9	3.579	76.20	3.0	28.7	1.13	1.65	.065
TEG14BM76L4.0	B	118.9	4.682	101.60	4.0	28.7	1.13	2.11	.083
TEG14BM76L6.0	B	166.8	6.570	152.40	6.0	38.1	1.50	2.77	.109

Type B



EGMO LTD. Tanks and stainless steel accessories
P.O.B. 1111, 1 Hayotsrim St. 22110 Nahariya Israel
Tel. 972-4-9855175 Fax: 972-4-9855173

Ordering Code:

TEG14BM7- CLAMP
FERRULE MEDIUM

Drawn **Guy.S** 4/20/2015

Approved **Alex.L** 4/20/2015

Material: AISI 316L

©2014 EGMO Ltd. All rights reserved.
The information on this drawing may
not be reproduced or republished
without prior consent of EGMO Ltd

Finish: ASME BPE-2012
(Per ordering)



Size - A4

Rev: 0

Sheet 1 From 1