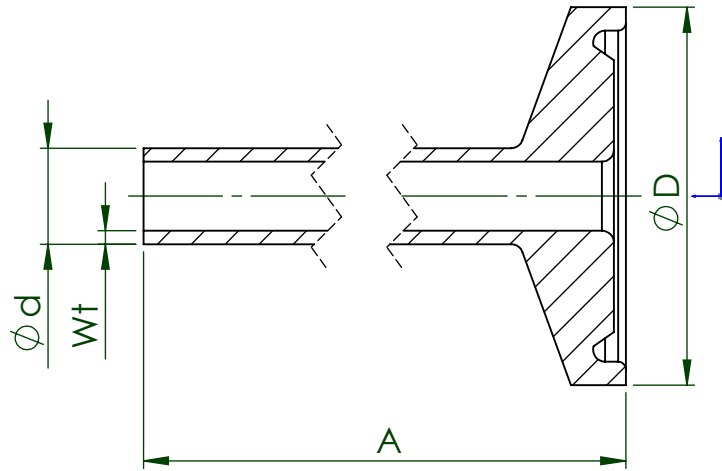
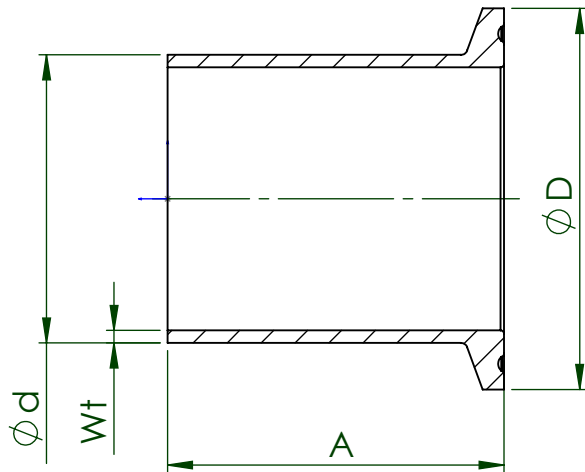


### Type A



### Type B



| CODE           | Type | D     |        | d      |        | A    |        | Wt   |        |
|----------------|------|-------|--------|--------|--------|------|--------|------|--------|
|                |      | [mm]  | [inch] | [mm]   | [inch] | [mm] | [inch] | [mm] | [inch] |
| TEG14AM76L.25  | A    | 24.9  | 0.984  | 6.35   | ¼      | 44.5 | 1.750  | 0.89 | .035   |
| TEG14AM76L.375 | A    | 24.9  | 0.984  | 9.53   | ⅜      | 44.5 | 1.750  | 0.89 | .035   |
| TEG14AM76L.5   | A    | 24.9  | 0.984  | 12.70  | ½      | 44.5 | 1.750  | 1.65 | .065   |
| TEG14AM76L.75  | A    | 24.9  | 0.984  | 19.05  | ¾      | 44.5 | 1.750  | 1.65 | .065   |
| TEG14AM76L1.0  | A    | 34.0  | 1.339  | 25.40  | 1.0    | 44.5 | 1.750  | 1.65 | .065   |
| TEG14AM76L1.0  | B    | 50.3  | 1.984  | 25.40  | 1.0    | 44.5 | 1.750  | 1.65 | .065   |
| TEG14AM76L1.5  | B    | 50.3  | 1.984  | 38.10  | 1½     | 44.5 | 1.750  | 1.65 | .065   |
| TEG14AM76L2.0  | B    | 63.9  | 2.516  | 50.80  | 2.0    | 57.2 | 2.250  | 1.65 | .065   |
| TEG14AM76L2.5  | B    | 77.3  | 3.047  | 63.50  | 2½     | 57.2 | 2.250  | 1.65 | .065   |
| TEG14AM76L3.0  | B    | 90.9  | 3.579  | 76.20  | 3.0    | 57.2 | 2.250  | 1.65 | .065   |
| TEG14AM76L4.0  | B    | 118.9 | 4.682  | 101.60 | 4.0    | 57.2 | 2.250  | 2.11 | .083   |
| TEG14AM76L6.0  | B    | 166.8 | 6.570  | 152.40 | 6.0    | 76.2 | 3.000  | 2.77 | .109   |



# EGMO

EGMO LTD. Tanks and stainless steel accessories  
P.O.B. 1111, 1 Hayotsrim St. 22110 Nahariya Israel  
Tel. 972-4-9855175 Fax: 972-4-9855173

Ordering Code:

TEG14AM7- CLAMP  
FERRULE LONG

Drawn **Guy.S** 4/20/2015

Approved **Alex.L** 4/20/2015

Material: AISI 316L

©2014 EGMO Ltd. All rights reserved.  
The information on this drawing may  
not be reproduced or republished  
without prior consent of EGMO Ltd

Finish: ASME BPE-2012  
(Per ordering)



Size - A4

Rev: 0

Sheet 1 From 1