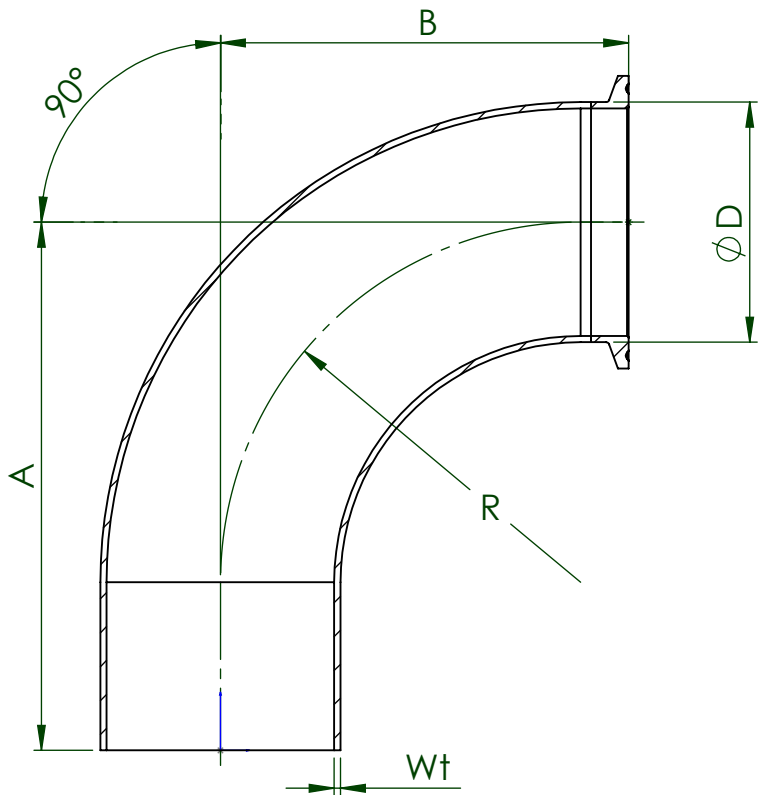




CODE	SIZE	A		B		D		R		Wt	
		[mm]	[inch]	[mm]	[inch]	[mm]	[inch]	[mm]	[inch]	[mm]	[inch]
TE2C6L.25-..	¼"	66.7	2.625	41.3	1.625	6.35	.25	15.9	0.62	0.89	.035
TE2C6L.375-..	⅜"	66.7	2.625	41.3	1.625	9.52	.375	25.4	1.00	0.89	.035
TE2C6L.5-..	½"	76.2	3.000	41.3	1.625	12.70	.5	28.6	1.13	1.65	.065
TE2C6L.75-..	¾"	76.2	3.000	41.3	1.625	19.05	.75	28.6	1.13	1.65	.065
TE2C6L1.0-..	1"	76.2	3.000	50.8	2.000	25.40	1	38.1	1.50	1.65	.065
TE2C6L1.5-..	1½"	95.3	3.750	69.9	2.750	38.10	1.5	57.2	2.25	1.65	.065
TE2C6L2.0-..	2"	120.7	4.750	88.9	3.500	50.80	2	76.2	3.00	1.65	.065
TE2C6L2.5-..	2½"	139.7	5.500	108.0	4.250	63.50	2.5	95.25	3.75	1.65	.065
TE2C6L3.0-..	3"	158.8	6.250	127.0	5.000	76.20	3	114.3	4.50	1.65	.065
TE2C6L4.0-..	4"	203.2	8.000	168.3	6.625	101.60	4	152.4	6.00	2.11	.083
TE2C6L6.0-..	6"	292.1	11.500	266.7	10.500	152.40	6	228.6	9.00	2.77	.109



	<b>EGMO LTD.</b> Tanks and stainless steel accessories P.O.B. 1111, 1 Hayotsrim St. 22110 Nahariya Israel Tel. 972-4-9855175 Fax: 972-4-9855173		
	<b>Ordering Code:</b> TE2C-90 ELBOW CLAMP ONE END	Drawn: <b>Guy.S</b> Approved: <b>Alex.L</b>	<b>4/12/2015</b> <b>4/12/2015</b>
©2014 EGMO Ltd. All rights reserved. The information on this drawing may not be reproduced or republished without prior consent of EGMO Ltd		Material: AISI 316L  Finish: ASME BPE-2012 (Per ordering)	
	Size - A4 Rev: 0	Sheet 1 From 1	