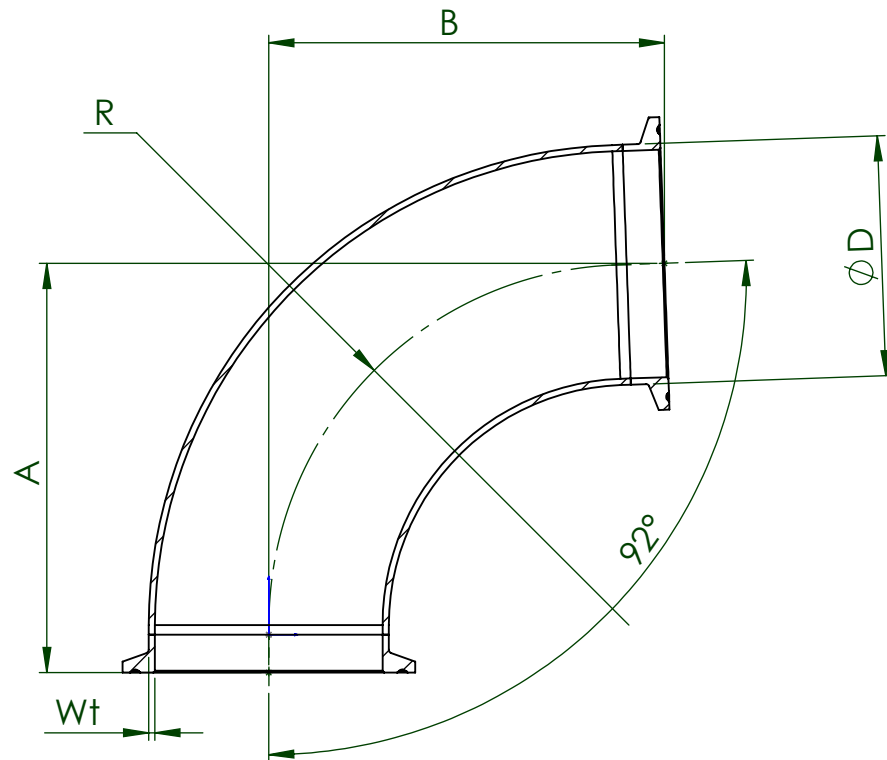


CODE	SIZE	A		B		D		R		Wt	
		[mm]	[inch]	[mm]	[inch]	[mm]	[inch]	[mm]	[inch]	[mm]	[inch]
TE2C6L.5-..	½"	41.66	1.64	40.39	1.59	12.70	.5	28.6	1.13	1.65	.065
TE2C6L.75-..	¾"	41.66	1.64	40.39	1.59	19.05	.75	28.6	1.13	1.65	.065
TE2C6L1.0-..	1"	51.31	2.02	49.53	1.95	25.40	1	38.1	1.50	1.65	.065
TE2C6L1.5-..	1½"	70.36	2.77	67.82	2.67	38.10	1.5	57.2	2.25	1.65	.065
TE2C6L2.0-..	2"	89.41	3.52	86.36	3.40	50.80	2	76.2	3.00	1.65	.065
TE2C6L2.5-..	2½"	108.20	4.26	104.65	4.12	63.50	2.5	95.25	3.75	1.65	.065
TE2C6L3.0-..	3"	127.51	5.02	122.94	4.84	76.20	3	114.3	4.50	1.65	.065
TE2C6L4.0-..	4"	168.66	6.64	163.07	6.42	101.60	4	152.4	6.00	2.11	.083



EGMO LTD. Tanks and stainless steel accessories  
P.O.B. 1111, 1 Hayotsrim St. 22110 Nahariya Israel  
Tel. 972-4-9855175 Fax: 972-4-9855173

Ordering Code:

TEG2C-88 ELBOW

Drawn **Guy.S** 4/7/2015

Approved **Alex.L** 4/7/2015

Material: AISI 316L

©2014 EGMO Ltd. All rights reserved.  
The information on this drawing may  
not be reproduced or republished  
without prior consent of EGMO Ltd

Finish: ASME BPE-2012  
(Per ordering)



Size - A4

Rev: 0

Sheet 1 From 1