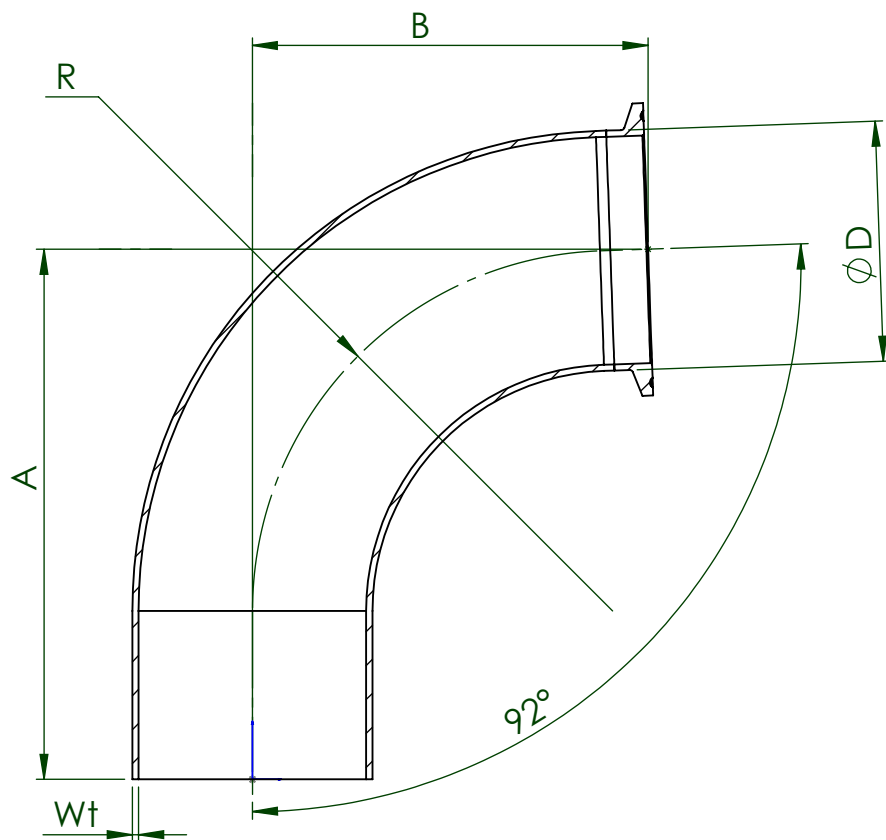




CODE	SIZE	A		B		D		R		Wt	
		[mm]	[inch]	[mm]	[inch]	[mm]	[inch]	[mm]	[inch]	[mm]	[inch]
TE2C6L.5-..	½"	76.71	3.02	40.39	1.59	12.70	.5	28.6	1.13	1.65	.065
TE2C6L.75-..	¾"	76.71	3.02	40.39	1.59	19.05	.75	28.6	1.13	1.65	.065
TE2C6L1.0-..	1"	76.71	3.02	49.53	1.95	25.40	1	38.1	1.50	1.65	.065
TE2C6L1.5-..	1½"	95.76	3.77	67.82	2.67	38.10	1.5	57.2	2.25	1.65	.065
TE2C6L2.0-..	2"	121.16	4.77	86.36	3.40	50.80	2	76.2	3.00	1.65	.065
TE2C6L2.5-..	2½"	140.21	5.52	104.65	4.12	63.50	2.5	95.25	3.75	1.65	.065
TE2C6L3.0-..	3"	159.26	6.27	122.94	4.84	76.20	3	114.3	4.50	1.65	.065
TE2C6L4.0-..	4"	203.71	8.02	163.07	6.42	101.60	4	152.4	6.00	2.11	.083



	EGMO LTD. Tanks and stainless steel accessories P.O.B. 1111, 1 Hayotsrim St. 22110 Nahariya Israel Tel. 972-4-9855175 Fax: 972-4-9855173		
	Ordering Code: TE2C-88 ELBOW	Drawn Guy.S	4/7/2015
	Approved Alex.L	4/7/2015	
	Material: AISI 316L		
©2014 EGMO Ltd. All rights reserved. The information on this drawing may not be reproduced or republished without prior consent of EGMO Ltd	Finish: ASME BPE-2012 (Per ordering)		
	Size - A4	Rev: 0	
	Sheet 1	From 1	