

COMPRESSION VALVE

INFORMATION

- One piece stem with O-Ring construction (easy seal replacement and positive shut-off)
- Viton O-Ring standard (others available upon request)
- Clamp connections are standard
- Full Polished ID and OD
- All metal contact surfaces of T316L Stainless Steel
- Sizes range from 1.0" through 3.0"
- Surface finish meets 3A, FDA and USDA standards. Seats and Seals are FDA approved.

PARTS BREAKDOWN

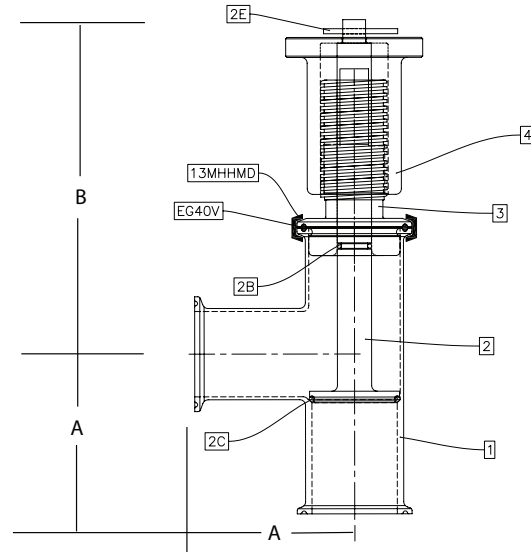
1. Body
2. Stem
- 2B. O-Ring Stem Seal
- 2C O-Ring Stem Seat
- 2E Cotter Pin
3. Bonnet
4. Handle

EG40V(SIZE)=Viton Clamp Gasket

13MHHMD(SIZE)-H=Clamp

Max. Product Pressure 150 PSI

Max Temperature 200°F



PART NUMBER SEQUENCE WHEN ORDERING COMPLETE VALVE:

EG60C (compression valve) 7 (tee style) R (rubber) 2.0 (size) Example: EG60C - 7 - R - 1.5

PART NUMBER SEQUENCE WHEN ORDERING REPLACEMENT PARTS:

EG60C (compression valve) 7 (tee style) R (rubber) 2.0 (size) - item Example: EG60C - 7 - R - 1.5 - O-Ring stem seat

Valve Size	Overall Length			Approx WT LBS
	A	B		
		MIN	MAX	
1.0	2.375	5.750	6.375	2.25
1.5	2.750	8.000	9.625	6.3
2.0	3.500	8.750	11.000	9.9